

THERMA-TRU[®] DOORS

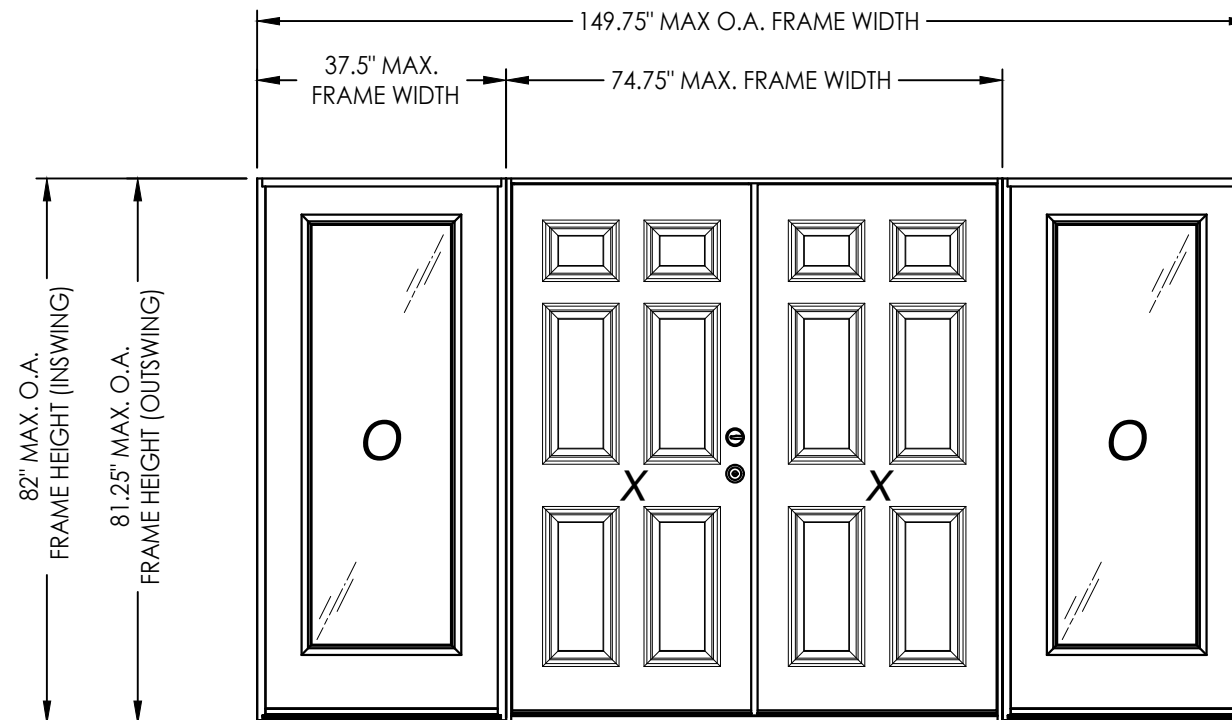
Fiber-Classic[®] & Smooth-Star[®]

OPAQUE COMPOSITE EDGE FIBERGLASS DOUBLE DOOR w/ MOLDED OPEN SIDELITES IN SWING/OUT SWING "IMPACT"

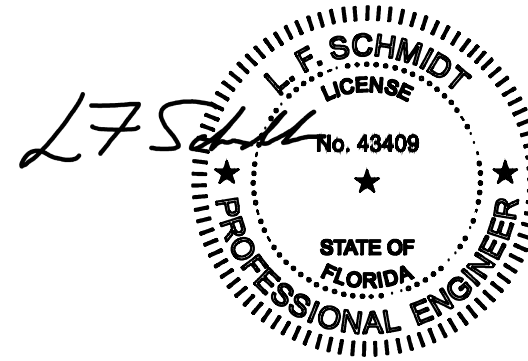
GENERAL NOTES

1. This product has been evaluated and is in compliance with the 8th Edition (2023) Florida Building Code (FBC) structural requirements excluding the "High Velocity Hurricane Zone" (HVHZ).
2. Product anchors shall be as listed and spaced as shown on details. Anchor embedment to base material shall be beyond wall dressing or stucco.
3. When used in areas requiring wind borne debris protection this product complies with FBC Sections 1609.1.2 & R301.2.1.2 and does not require an impact resistant covering. This product meets missile level "D" and excludes Wind Zone 4 as defined in ASTM E1996 and FBC Sections 1609.1.2.2 & R301.2.1.2.1.
4. For 2x stud framing construction, anchoring of these units shall be the same as that shown for 2x buck masonry construction.
5. Site conditions that deviate from the details of this drawing require further engineering analysis by a licensed engineer or registered architect.
6. Fiber-Classic & Smooth-Star Door panel require the use of "J" part numbers and must be stained or painted within six months of installation.

| TABLE OF CONTENTS | |
|-------------------|--|
| SHEET # | DESCRIPTION |
| 1 | Typical Elevations, Design Pressures & General Notes |
| 2 | Door Panel Details |
| 3 | Sidelite Panel Details |
| 4 | Elevations |
| 5 | Horizontal & Vertical Cross Sections (2X Buck) |
| 6 | Horizontal & Vertical Cross Sections (1X Buck) |
| 7 | Horizontal & Vertical Cross Sections (Direct to Masonry) |
| 8 | Vertical Cross Sections (Thresholds) |
| 9 | Buck Anchoring |
| 10 | Frame Anchoring |
| 11 | Hardware Details |
| 12 | Lite Frame & Glazing Details |
| 13 | Bill of Materials & Components |



| CONFIGURATION | LOCK TYPE | DESIGN PRESSURE (PSF) IN SWING | | DESIGN PRESSURE (PSF) OUT SWING | |
|---------------|------------------|-----------------------------------|----------|------------------------------------|----------|
| | | POSITIVE | NEGATIVE | POSITIVE | NEGATIVE |
| OXXO | LATCH & DEADBOLT | +55.0 | -65.0 | +60.0 | -60.0 |
| | MULTIPOINT LOCK | +60.0 | -65.0 | +60.0 | -60.0 |



This item has been digitally signed and sealed by L. F. Schmidt, P.E. on the date adjacent to the seal. Printed copies of this document are not considered signed and sealed and the signature must be verified on any electronic copies.

THIS PRODUCT APPROVAL IS VALID ONLY FOR THE STATE OF FLORIDA

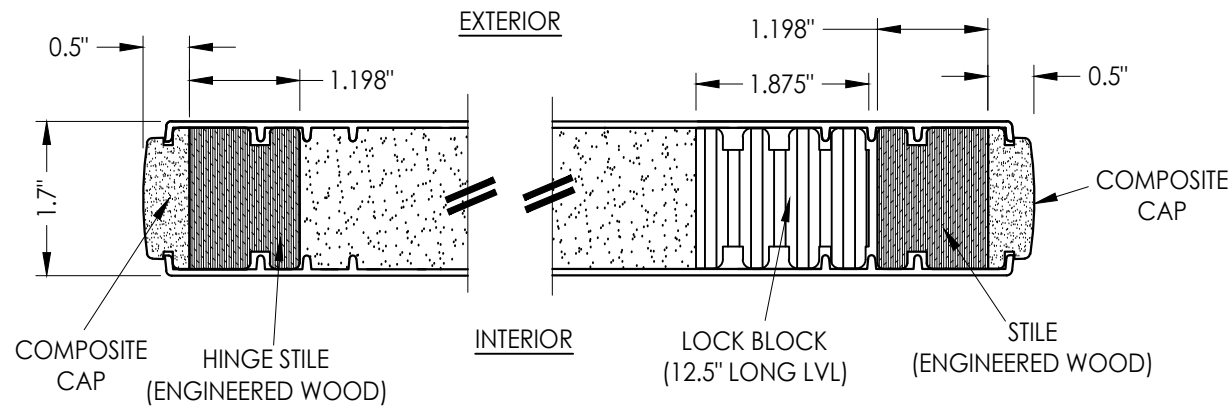
Documents Prepared By:
Lyndon F. Schmidt
P.E. No. 43409

RW BUILDING CONSULTANTS, INC.
P.O. Box 230, Valrico, FL 33595
Phone No.: 813.659.9197
FBPE Registry No. 9813

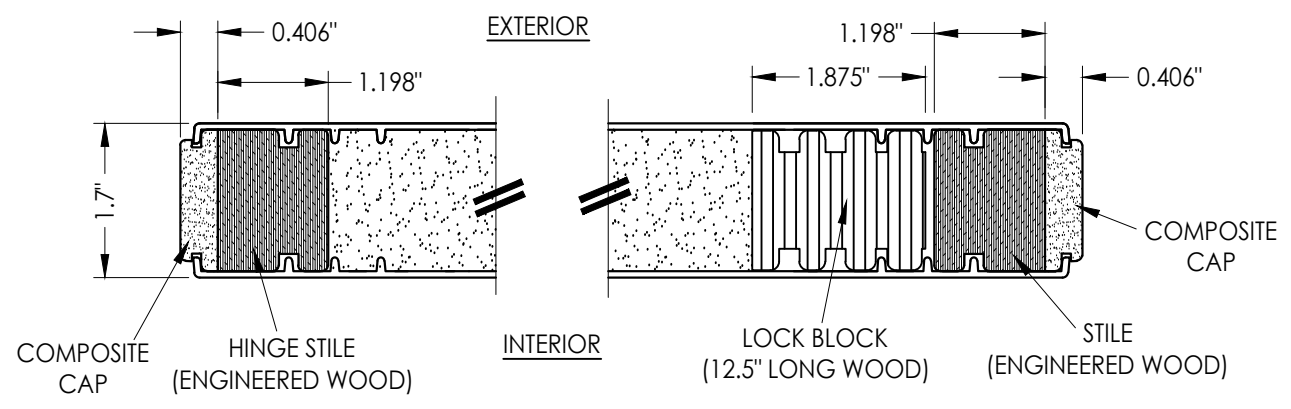
PRODUCT: THERMA-TRU FIBERGLASS DOOR
PART OR ASSEMBLY: TYPICAL ELEVATION, DESIGN PRESSURES & GENERAL NOTES

| NO. | DATE | BY | REVISIONS |
|-----|---------|-----|------------------------------|
| 1 | 7/20/23 | LFS | UPDATE TO 8TH ED. (2023) FBC |

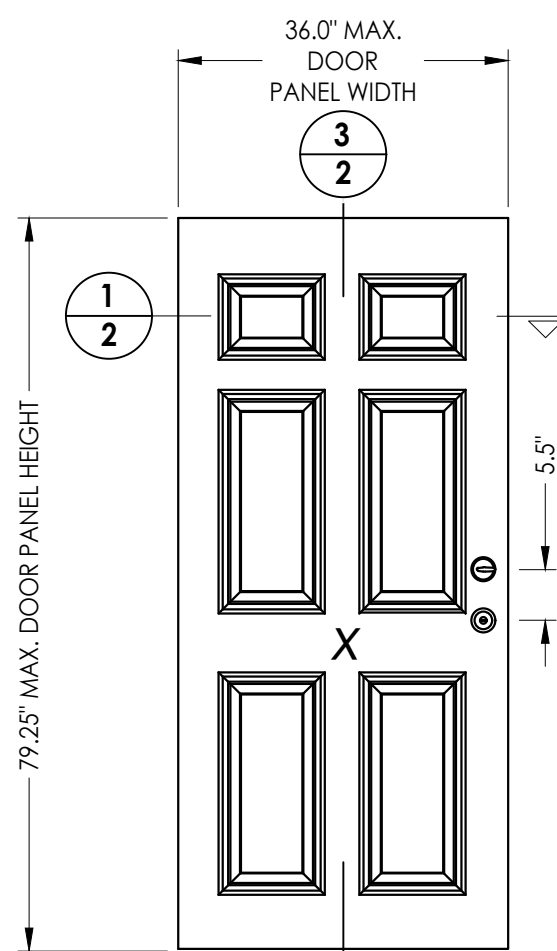
DATE: 4/01/21
SCALE: N.T.S.
DWG. BY: RW
CHK. BY: LFS
DRAWING NO.: FL-20467.17
SHEET 1 OF 13



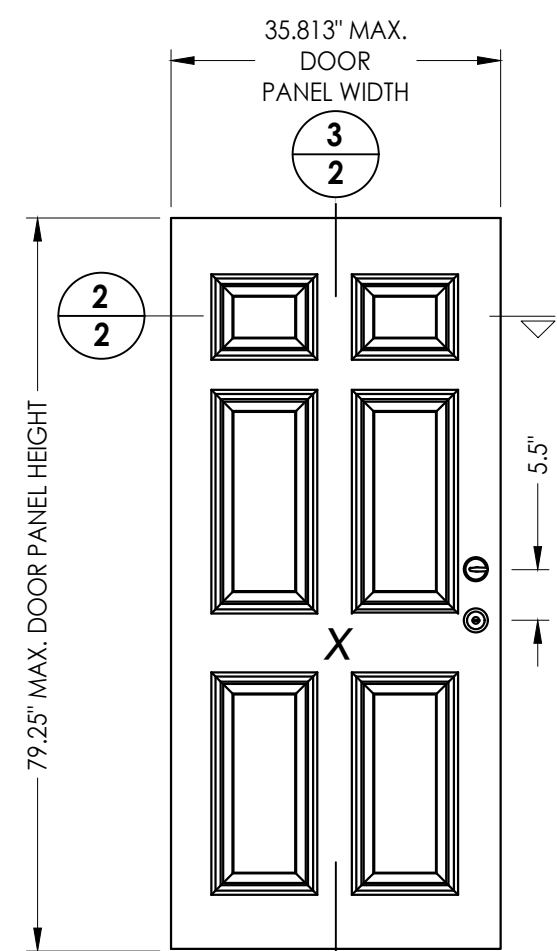
1
2 HORIZONTAL CROSS SECTION



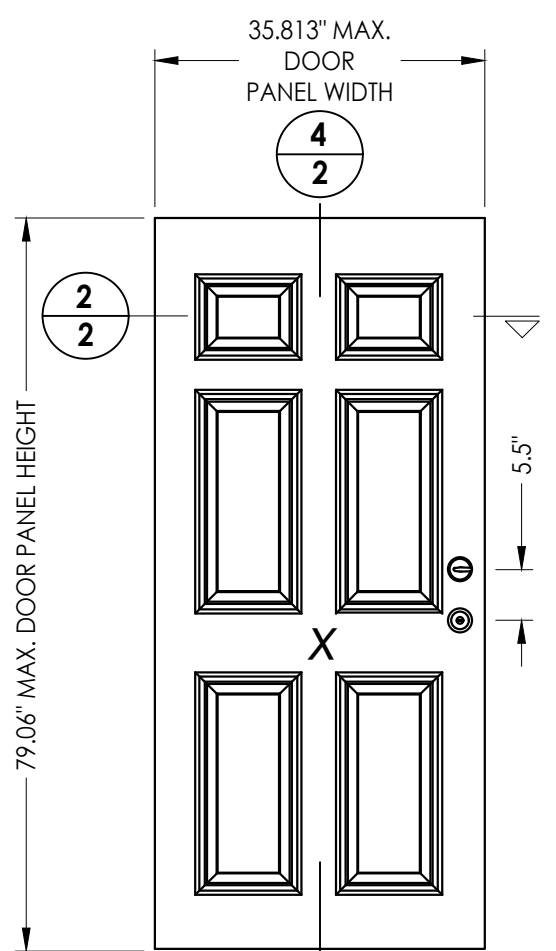
2
2 HORIZONTAL CROSS SECTION



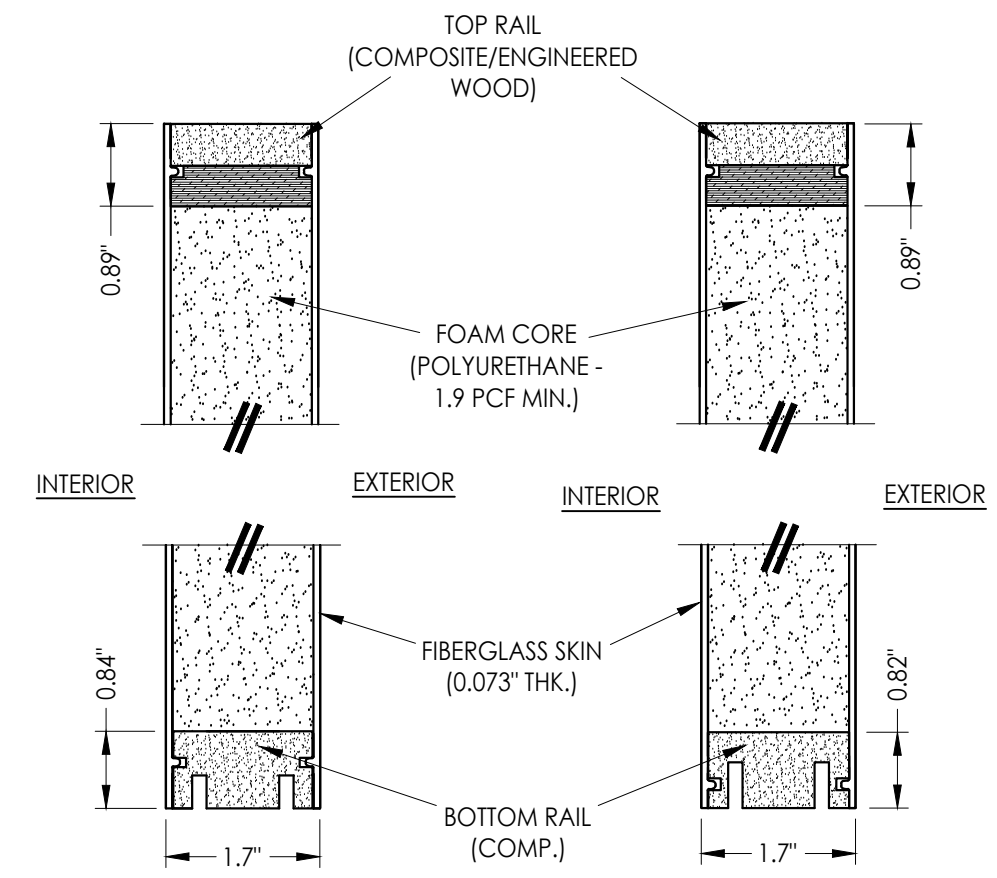
40 DOOR PANEL BOOK



41 DOOR PANEL Hybrid Door



42 DOOR PANEL UI Door



3
2 VERTICAL CROSS SECTION

4
2 VERTICAL CROSS SECTION

Documents Prepared By:
Lyndon F. Schmidt
P.E. No. 43409

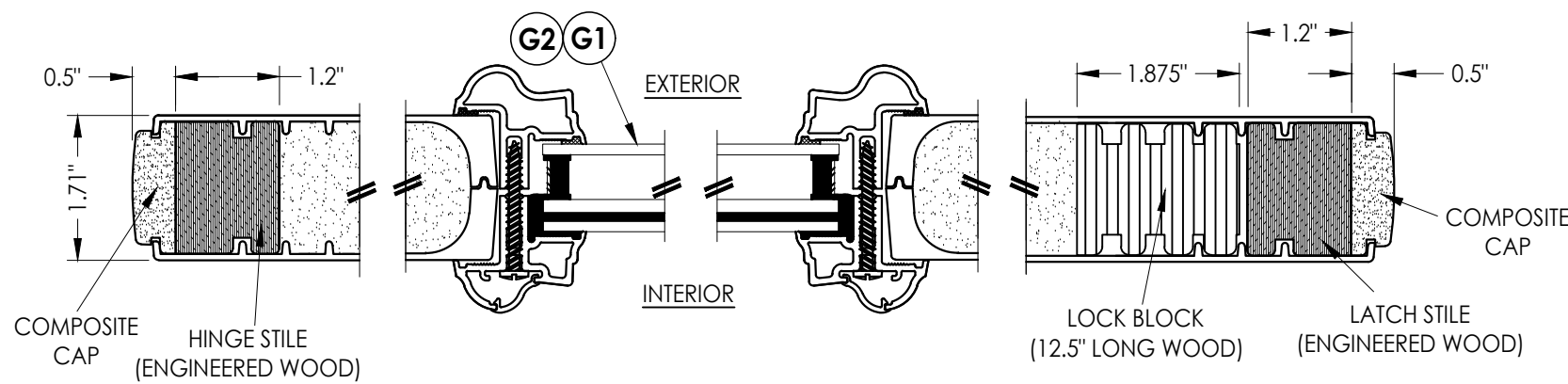
RW BUILDING CONSULTANTS, INC.
P.O. Box 230, Valrico, FL 33595
Phone No.: 813.659.9197
FBPE Registry No. 9813

PRODUCT: THERMA-TRU FIBERGLASS DOOR

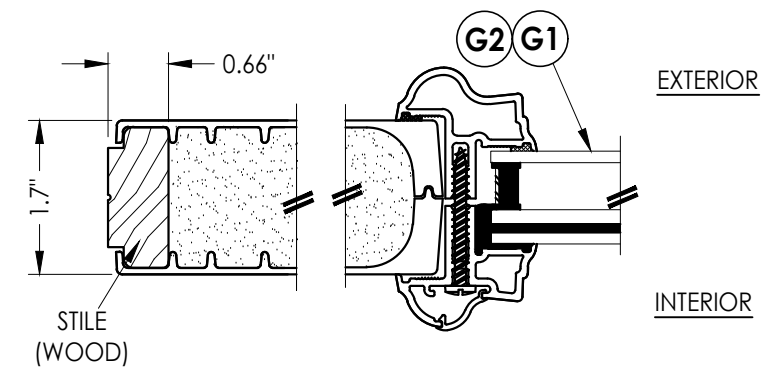
PART OR ASSEMBLY: DOOR PANEL DETAILS

| NO. | DATE | BY |
|-----|---------|-----|
| 1 | 7/20/23 | LFS |

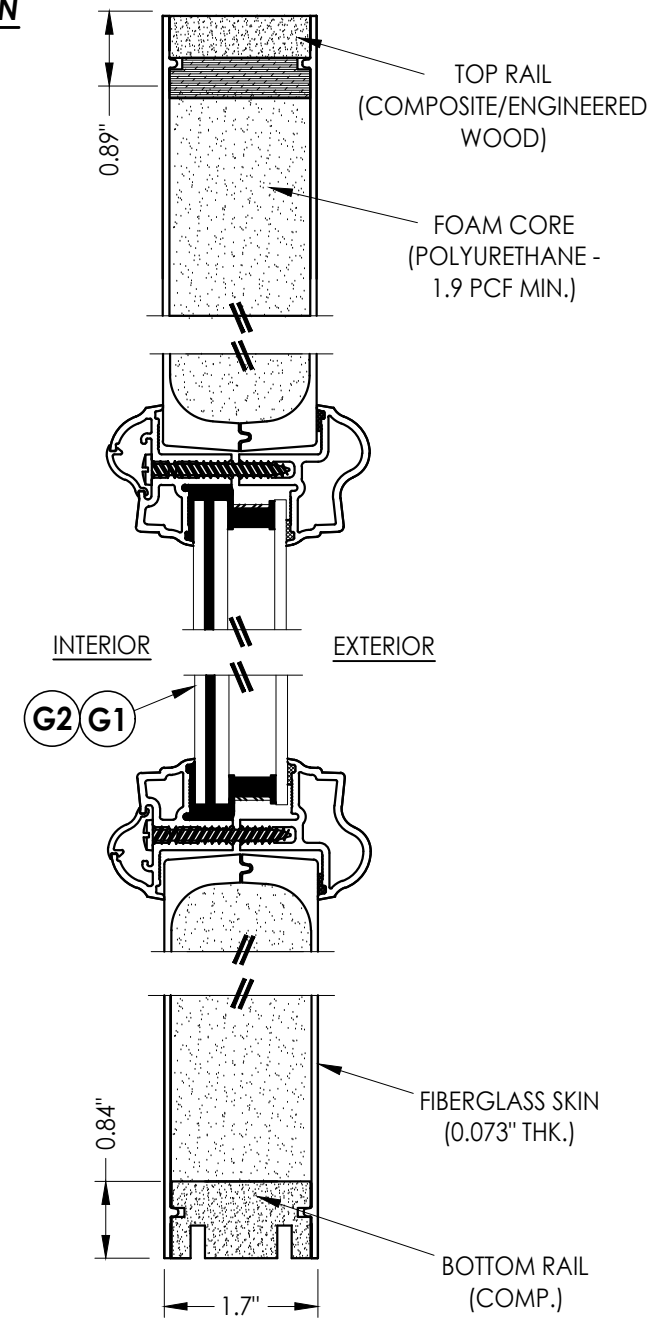
| | |
|--------------|-------------|
| DATE: | 4/01/21 |
| SCALE: | N.T.S. |
| DWG. BY: | RW |
| CHK. BY: | LFS |
| DRAWING NO.: | FL-20467.17 |
| SHEET | 2 OF 13 |



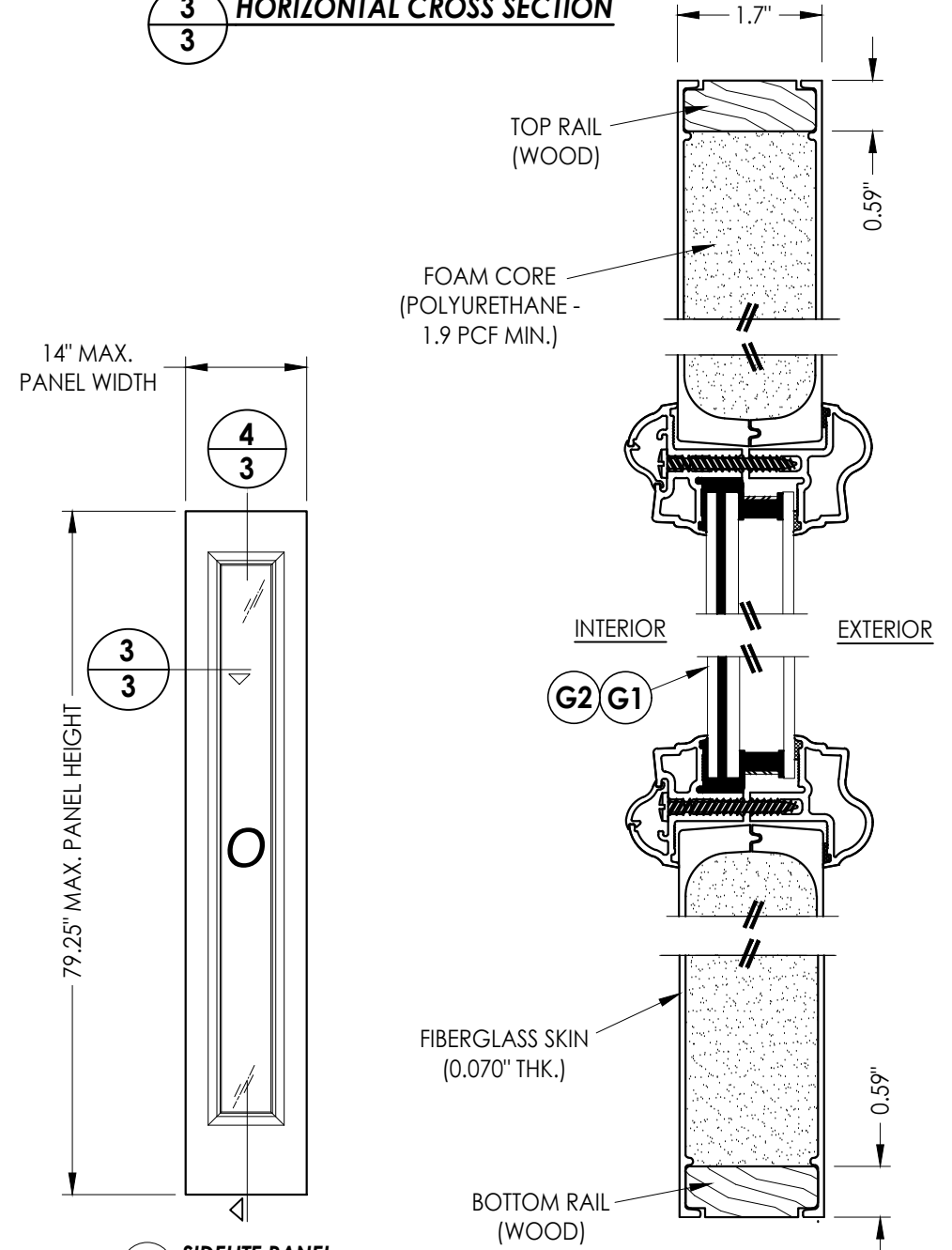
1
3 HORIZONTAL CROSS SECTION



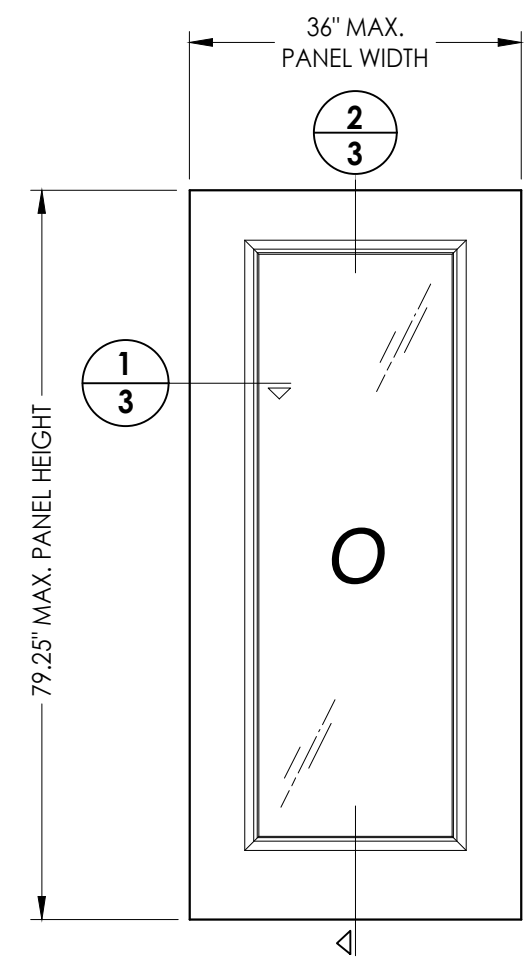
3
3 HORIZONTAL CROSS SECTION



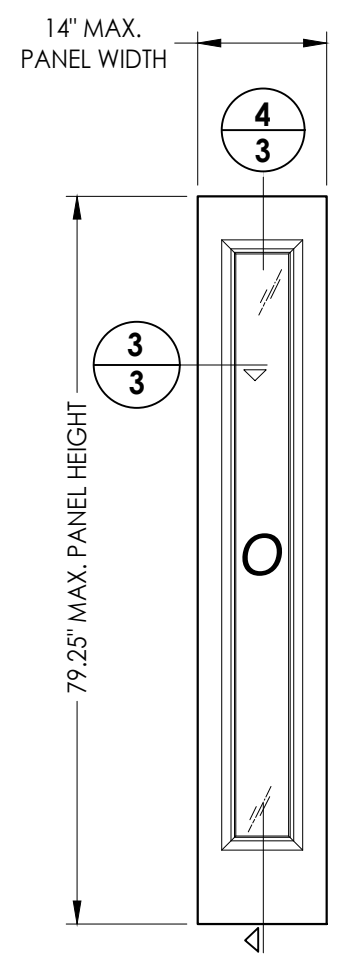
2
3 VERTICAL CROSS SECTION



4
3 VERTICAL CROSS SECTION



50 SIDELITE PANEL
36" Sidelite



50 SIDELITE PANEL
14" Sidelite

Documents Prepared By:
Lyndon F. Schmidt
P.E. No. 43409

RW BUILDING CONSULTANTS, INC.
P.O. Box 230, Valrico, FL 33595
Phone No.: 813.659.9197
FBPE Registry No. 9813

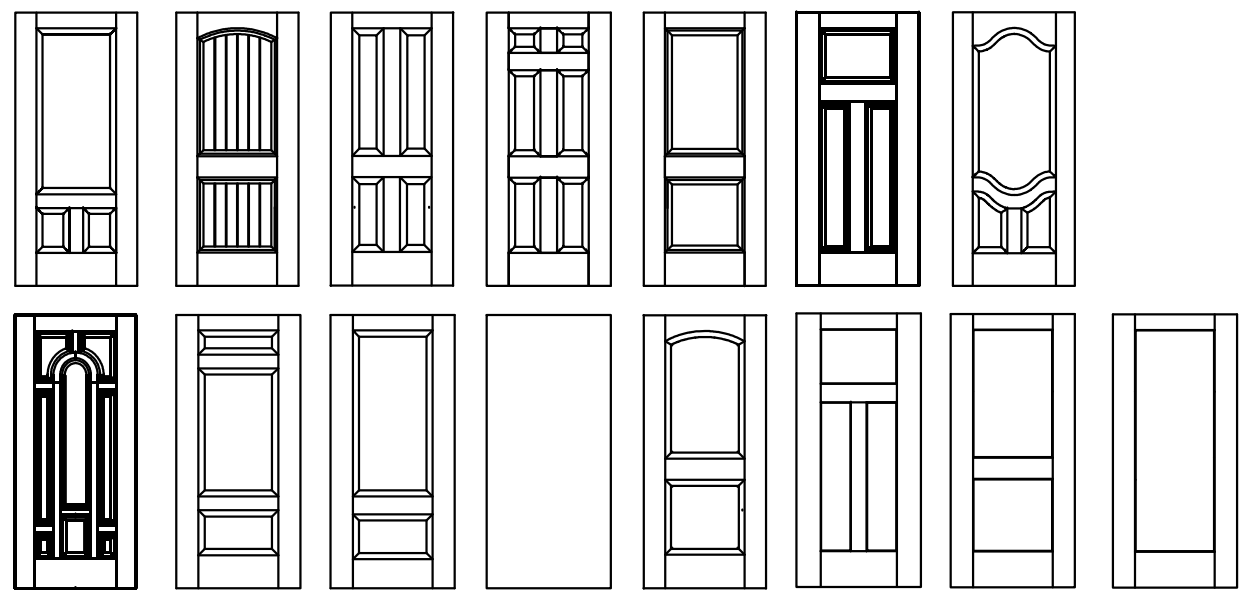
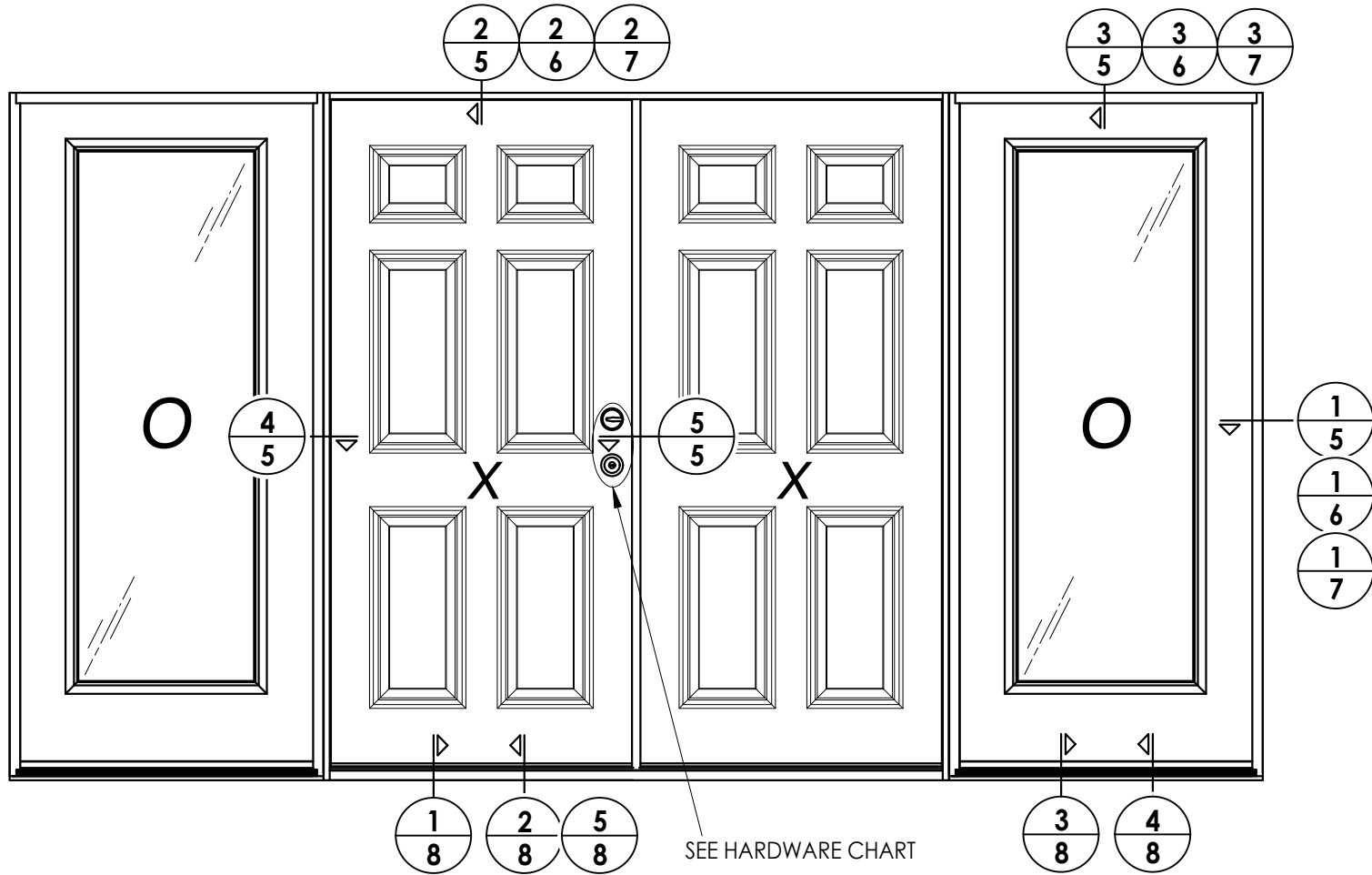
PRODUCT:
THERMA-TRU
FIBERGLASS DOOR

PART OR ASSEMBLY:
SIDELITE PANEL DETAILS

| NO. | DATE | REVISIONS | LFS | BY |
|-----|---------|------------------------------|-----|----|
| 1 | 7/20/23 | UPDATE TO 8TH ED. (2023) FBC | | |

DATE: 4/01/21
SCALE: N.T.S.
DWG. BY: RW
CHK. BY: LFS
DRAWING NO.: FL-20467.17
SHEET 3 OF 13

Z:\2023 FBC Drawings\Therma-Tru\FL-20468 R6\FL-20468.16-17.dwg



Fiber-Classic/Smooth-Star Door Panel Options

Products approved include all embossed and recessed panel doors.
 Similar opaque panel configurations are allowed.
 Panels shown are for illustration and are representative only.

| HARDWARE TABLE | |
|-----------------------|--|
| MANUFACTURER | MODEL |
| SCHLAGE | KNOB: F51 DEADBOLT: B60 |
| KWIKSET | KNOB: SIGNATURE SERIES DEADBOLT: SIGNATURE SERIES (980) |
| HOPPE (THERMA-TRU) | MULTIPOINT : MPDGSB (3 pt. Manual Shootbolt) |

Documents Prepared By:
 Lyndon F. Schmidt
 P.E. No. 43409

RW BUILDING CONSULTANTS, INC.
 P.O. Box 230, Valrico, FL 33595
 Phone No.: 813.659.9197
 FBPE Registry No. 9813

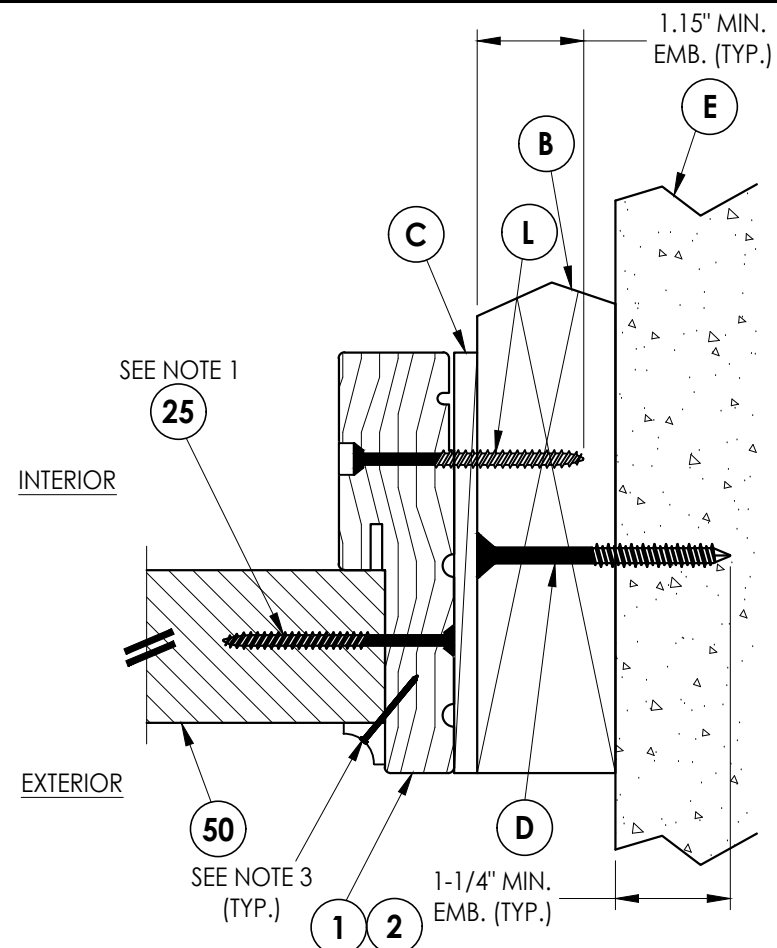
PRODUCT: THERMA-TRU FIBERGLASS DOOR

PART OR ASSEMBLY: ELEVATIONS

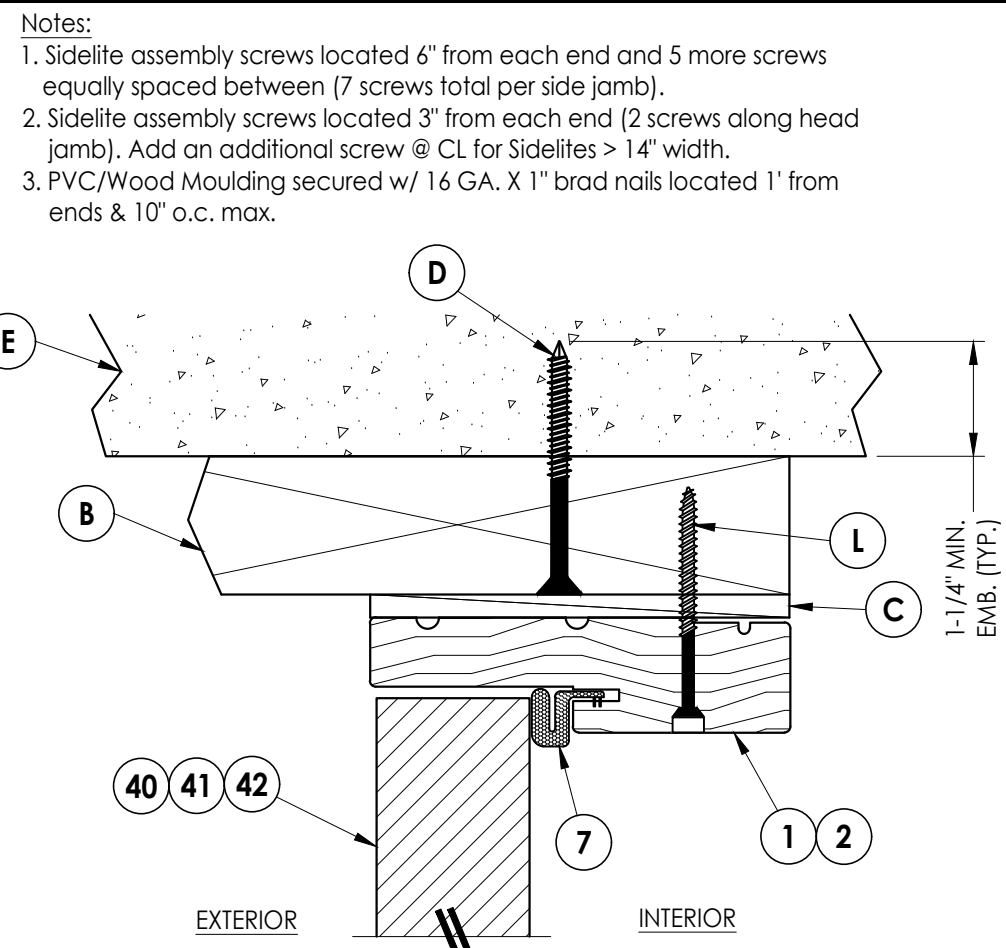
| NO. | DATE | REVISIONS |
|-----|---------|------------------------------|
| 1 | 7/20/23 | UPDATE TO 8TH ED. (2023) FBC |
| | | LFS |
| | | BY |

DATE: 4/01/21
 SCALE: N.T.S.
 DWG. BY: RW
 CHK. BY: LFS
 DRAWING NO.: FL-20467.17
 SHEET 4 of 13

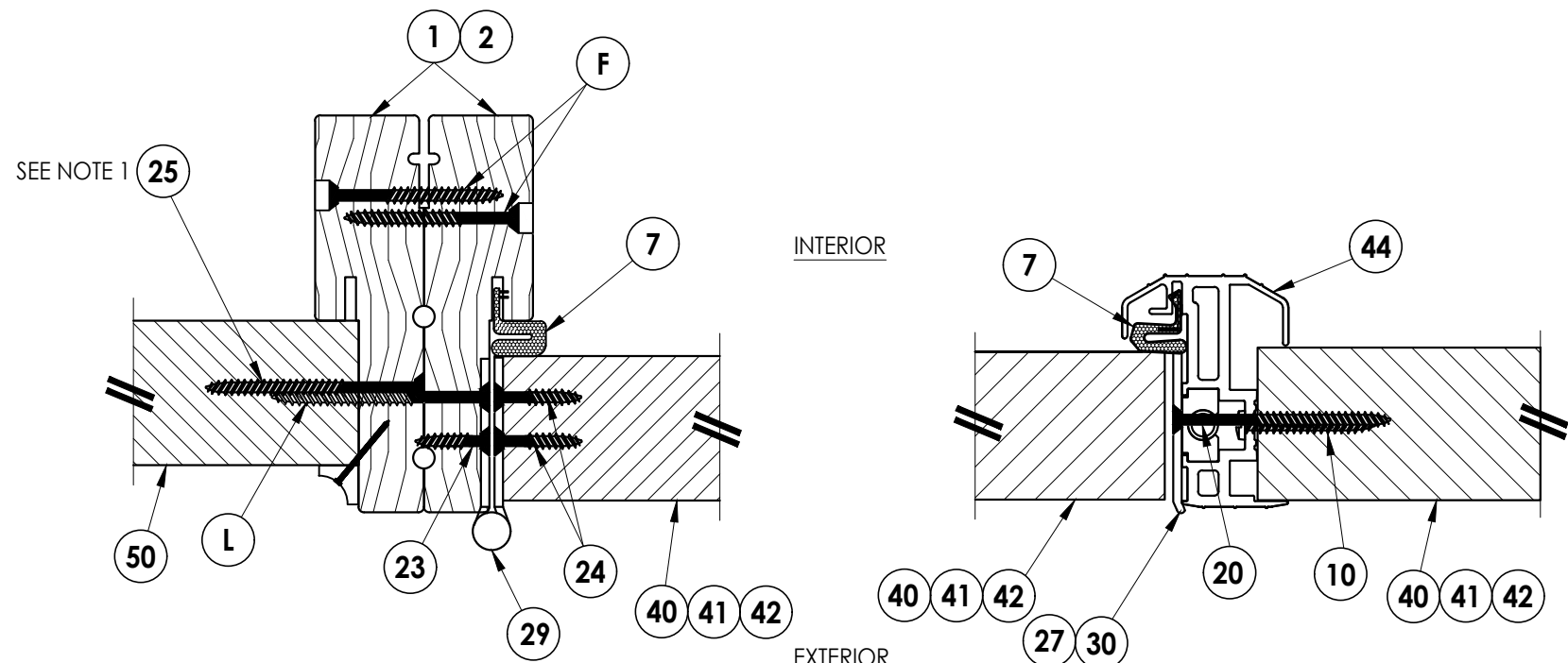
© 2021 R.W. BUILDING CONSULTANTS INC.



1 HORIZONTAL CROSS SECTION
5 Shown w/ 2X Buck
 Outswing shown (Inswing similar)

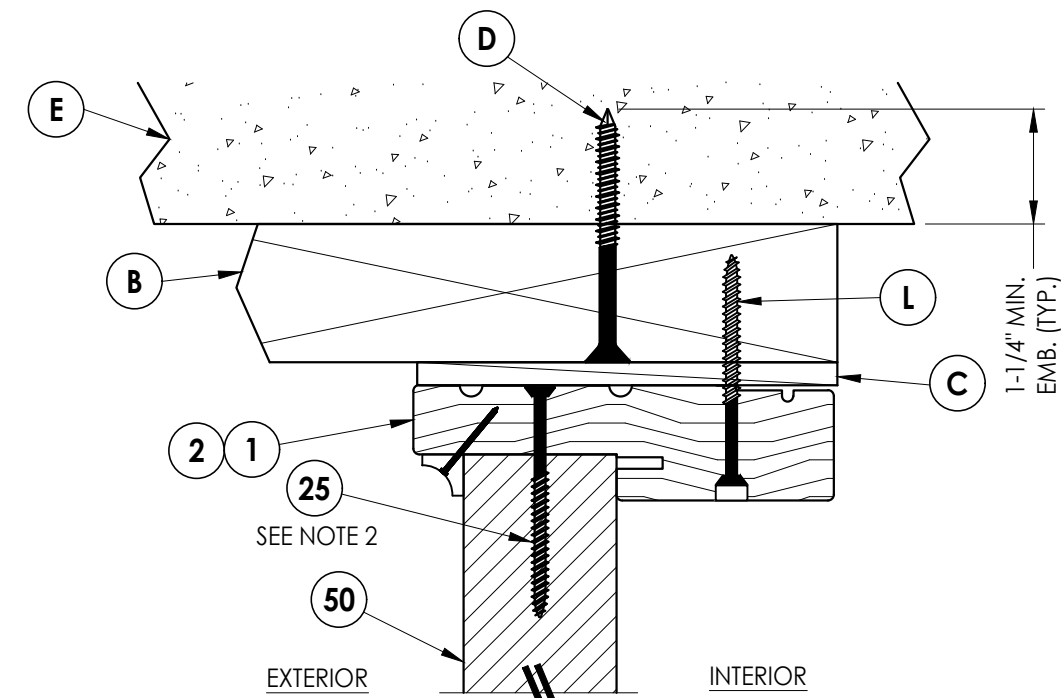


2 VERTICAL CROSS SECTION
5 Shown w/ 2X Buck
 Outswing shown (Inswing similar)



4 HORIZONTAL CROSS SECTION
5 Outswing shown (Inswing similar)

5 HORIZONTAL CROSS SECTION
5 Outswing shown (Inswing similar)



3 VERTICAL CROSS SECTION
5 Shown w/ 2X Buck
 Outswing shown (Inswing similar)

- Notes:
1. Sidelite assembly screws located 6" from each end and 5 more screws equally spaced between (7 screws total per side jamb).
 2. Sidelite assembly screws located 3" from each end (2 screws along head jamb). Add an additional screw @ CL for Sidelites > 14" width.
 3. PVC/Wood Moulding secured w/ 16 GA. X 1" brad nails located 1" from ends & 10" o.c. max.

Documents Prepared By:
 Lyndon F. Schmidt
 P.E. No. 43409

RW BUILDING CONSULTANTS, INC.
 P.O. Box 230, Valrico, FL 33595
 Phone No.: 813.659.9197
 FBPE Registry No. 9813

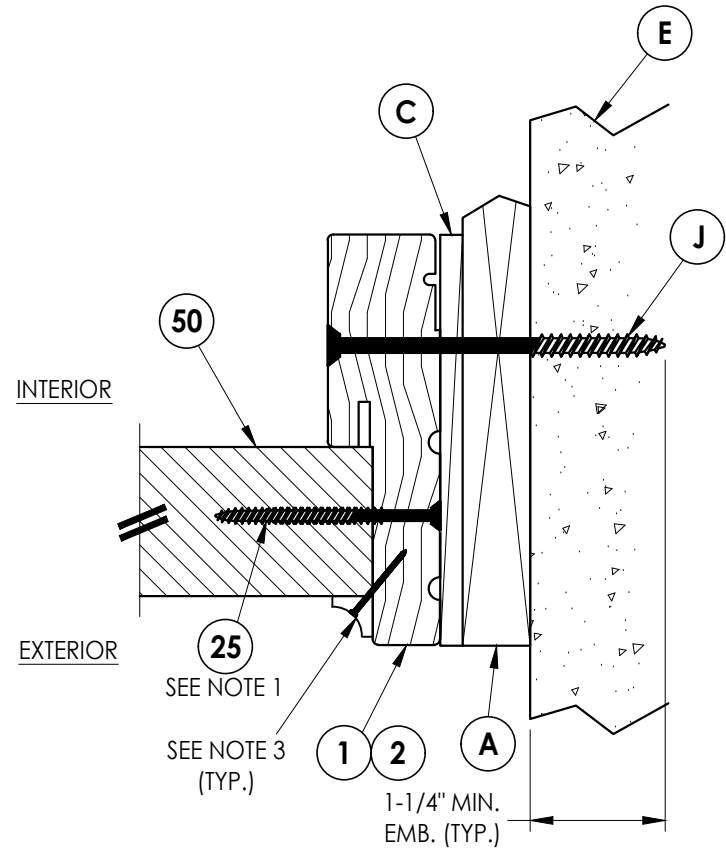
PRODUCT: THERMA-TRU FIBERGLASS DOOR
 PART OR ASSEMBLY: HORIZONTAL & VERTICAL CROSS SECTIONS (2X BUCK)

| NO. | DATE | BY |
|------------------------------|---------|-----|
| 1 | 7/20/23 | LFS |
| UPDATE TO 8TH ED. (2023) FBC | | |
| REVISIONS | | |

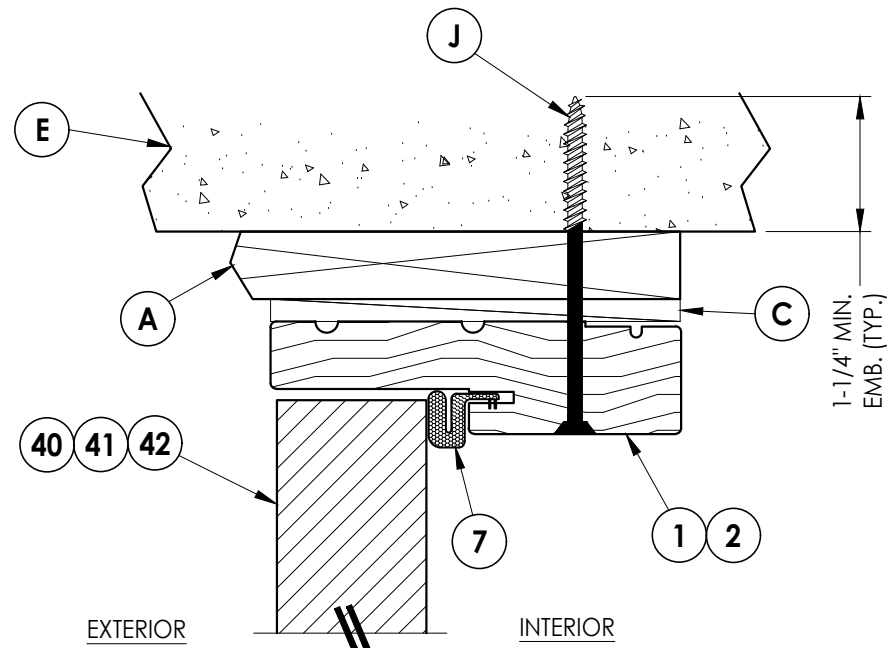
DATE: 4/01/21
 SCALE: N.T.S.
 DWG. BY: RW
 CHK. BY: LFS
 DRAWING NO.: FL-20467.17
 SHEET 5 OF 13

Notes:

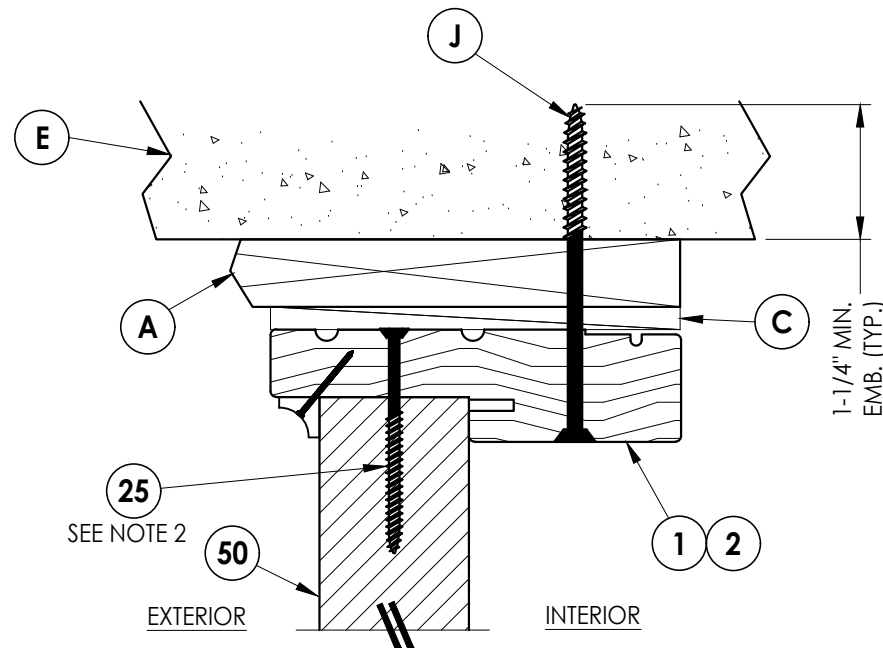
1. Sidelite assembly screws located 6" from each end and 5 more screws equally spaced between (7 screws total per side jamb).
2. Sidelite assembly screws located 3" from each end (2 screws along head jamb). Add an additional screw @ CL for Sidelites > 14" width.
3. PVC/Wood Moulding secured w/ 16 GA. X 1" brad nails located 1' from ends & 10" o.c. max.



1
6 **HORIZONTAL CROSS SECTION**
Shown w/ 1X sub-buck
Outswing shown (Inswing similar)



2
6 **VERTICAL CROSS SECTION**
Shown w/ 1X sub-buck
Outswing shown (Inswing similar)



3
6 **VERTICAL CROSS SECTION**
Shown w/ 1X sub-buck
Outswing shown (Inswing similar)

Documents Prepared By:
Lyndon F. Schmidt
P.E. No. 43409

RW BUILDING CONSULTANTS, INC.
P.O. Box 230, Valrico, FL 33595
Phone No.: 813.659.9197
FBPE Registry No. 9813

PRODUCT:
THERMA-TRU
FIBERGLASS DOOR

PART OR ASSEMBLY:
HORIZONTAL & VERTICAL
CROSS SECTIONS (1X BUCK)

| NO. | DATE | BY | REVISIONS |
|-----|---------|-----|--------------------------|
| 1 | 7/20/23 | FBC | UPDATE TO 8TH ED. (2023) |

DATE: 4/01/21

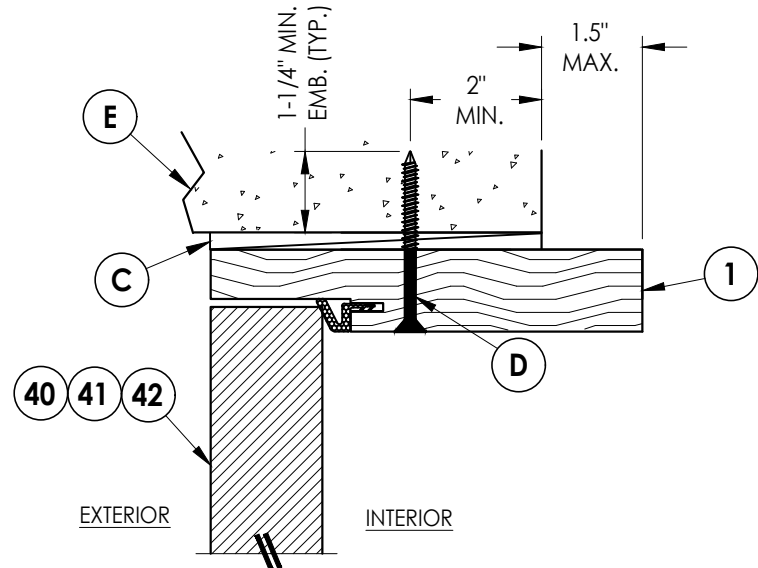
SCALE: N.T.S.

DWG. BY: RW

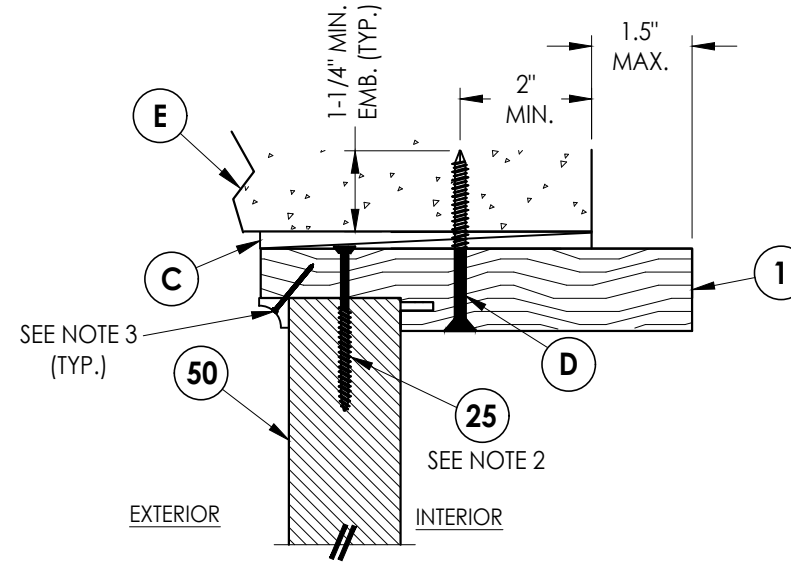
CHK. BY: LFS

DRAWING NO.:
FL-20467.17

SHEET 6 OF 13



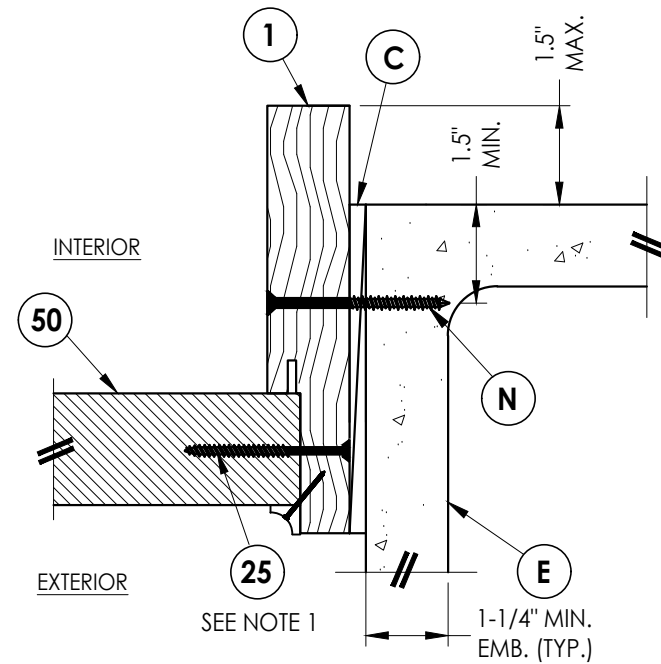
2 **VERTICAL CROSS SECTION**
7 Shown Direct to Masonry
 Outswing only w/ 6-9/16" jamb



3 **VERTICAL CROSS SECTION**
7 Shown Direct to Masonry
 Outswing only w/ 6-9/16" jamb

Notes:

- Sidelite assembly screws located 6" from each end plus 5 more equally spaced between (7 screws total per side jamb).
- Sidelite assembly screws located 3" from each end (2 screws along head jamb). Add an additional screw @ CL for Sidelites > 14" width.
- PVC/Wood Moulding secured w/ 16 GA. X 1" brad nails located 1' from ends & 10" o.c. max.



1 **HORIZONTAL CROSS SECTION**
7 Shown Direct to Masonry
 Outswing only w/ 6-9/16" jamb

Documents Prepared By:
 Lyndon F. Schmidt
 P.E. No. 43409

RW BUILDING CONSULTANTS, INC.
 P.O. Box 230, Valrico, FL 33595
 Phone No.: 813.659.9197
 FBPE Registry No. 9813

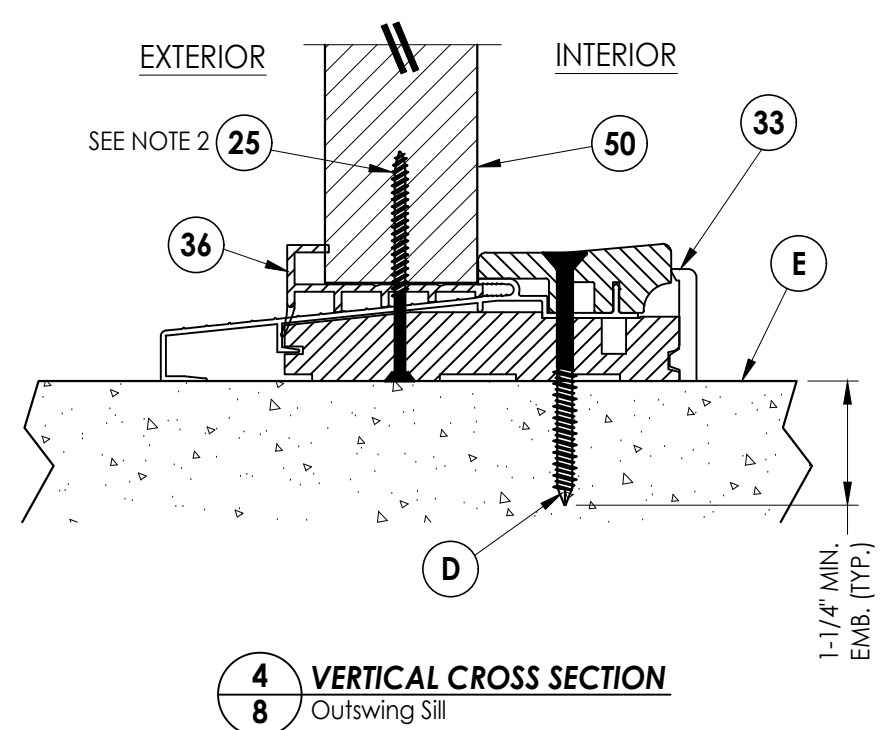
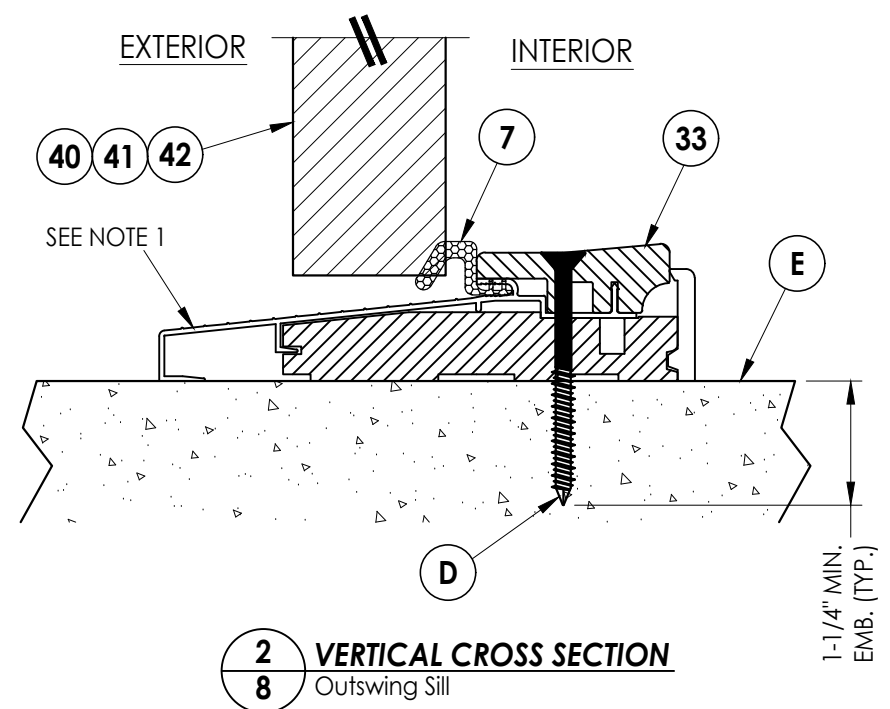
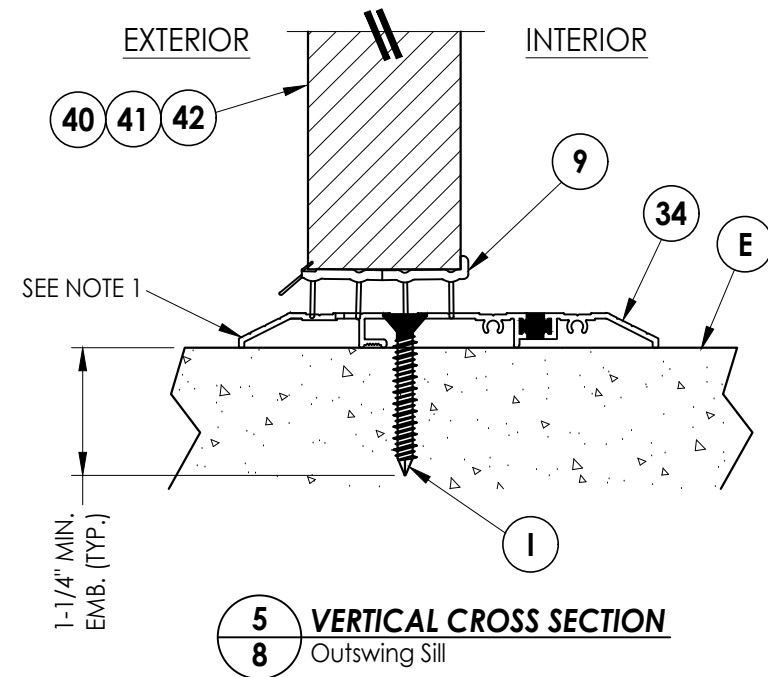
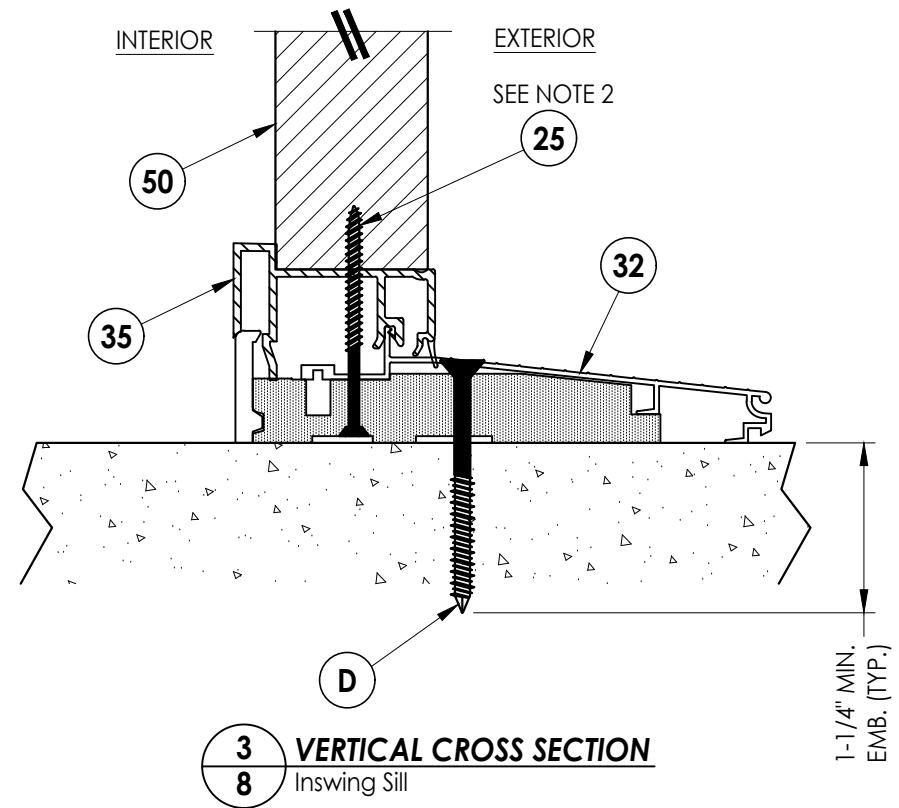
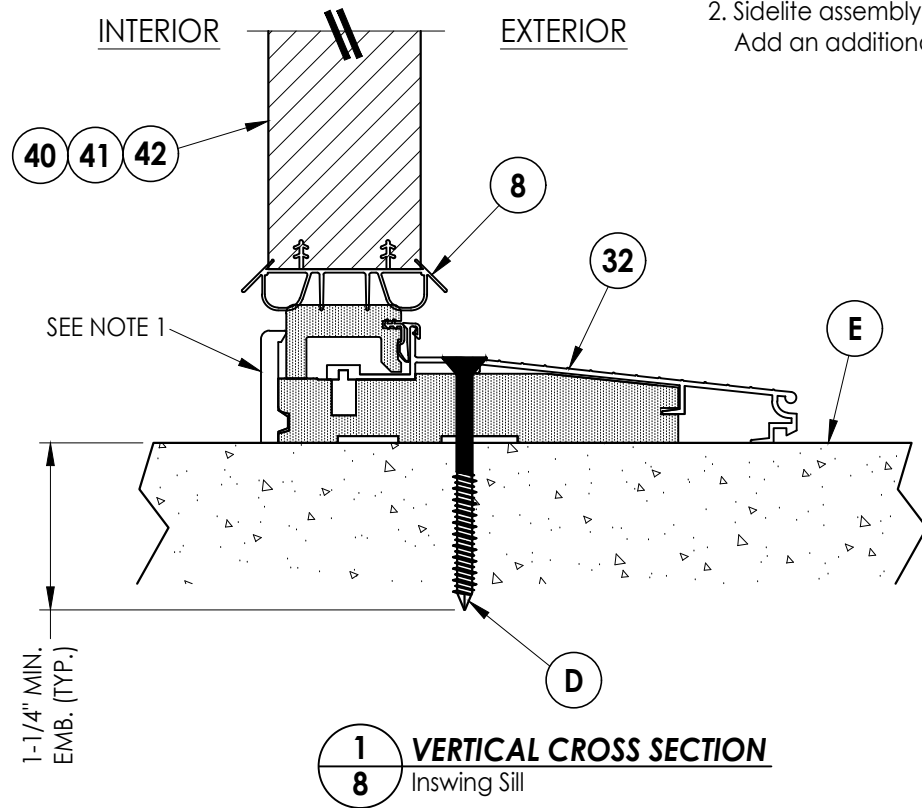
PRODUCT: THERMA-TRU
 FIBERGLASS DOOR
 PART OR ASSEMBLY:
 HORIZONTAL & VERTICAL
 SECTIONS (DIRECT TO MASONRY)

| NO. | DATE | BY | REVISIONS |
|-----|---------|-----|------------------------------|
| 1 | 7/20/23 | LFS | UPDATE TO 8TH ED. (2023) FBC |

DATE: 8/10/16
 SCALE: N.T.S.
 DWG. BY: RW
 CHK. BY: LFS
 DRAWING NO.:
 FL-20467.17
 SHEET 7 OF 13

Notes:

- Sill Item #32 is attached to jambs w/ (3) #8 X 2-1/2" pfh screws at each end.
Sill Item #33 is attached to jambs w/ (2) #8 X 2-1/2" pfh screws at each end.
Sill Item #34 is attached to jambs utilizing (2) #10 X 2" pph SMS at each end.
- Sidelite assembly screws located 3" from each end (2 screws along sill jamb).
Add an additional screw @ CL for Sidelites > 14" width.



Documents Prepared By:
Lyndon F. Schmidt
P.E. No. 43409

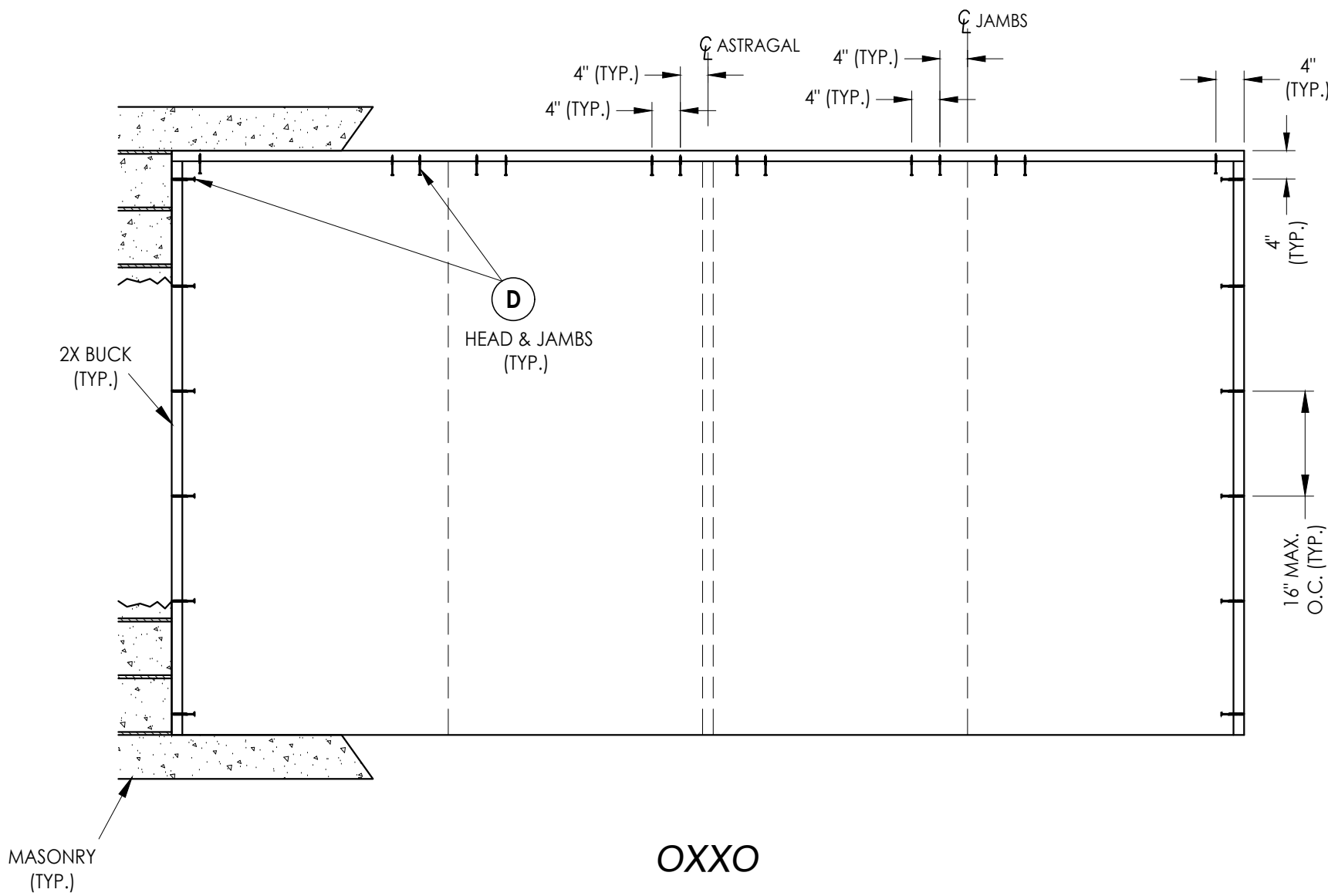
RW BUILDING CONSULTANTS, INC.
P.O. Box 230, Valrico, FL 33595
Phone No.: 813.659.9197
FBPE Registry No. 9813

PRODUCT:
THERMA-TRU
FIBERGLASS DOOR

PART OR ASSEMBLY:
VERTICAL CROSS
SECTIONS (THRESHOLDS)

| NO. | DATE | BY | REVISIONS |
|-----|---------|-----|------------------------------|
| 1 | 7/20/23 | LFS | UPDATE TO 8TH ED. (2023) FBC |

DATE: 4/01/21
SCALE: N.T.S.
DWG. BY: RW
CHK. BY: LFS
DRAWING NO.: FL-20467.17
SHEET 8 OF 13



OX XO

2X BUCK ANCHORING

Documents Prepared By:
 Lyndon F. Schmidt
 P.E. No. 43409

RW BUILDING CONSULTANTS, INC.
 P.O. Box 230, Vairico, FL 33595
 Phone No.: 813.659.9197
 FBPE Registry No. 9813

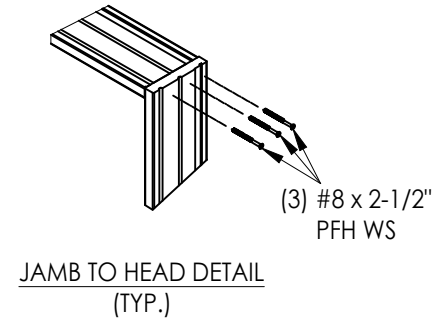
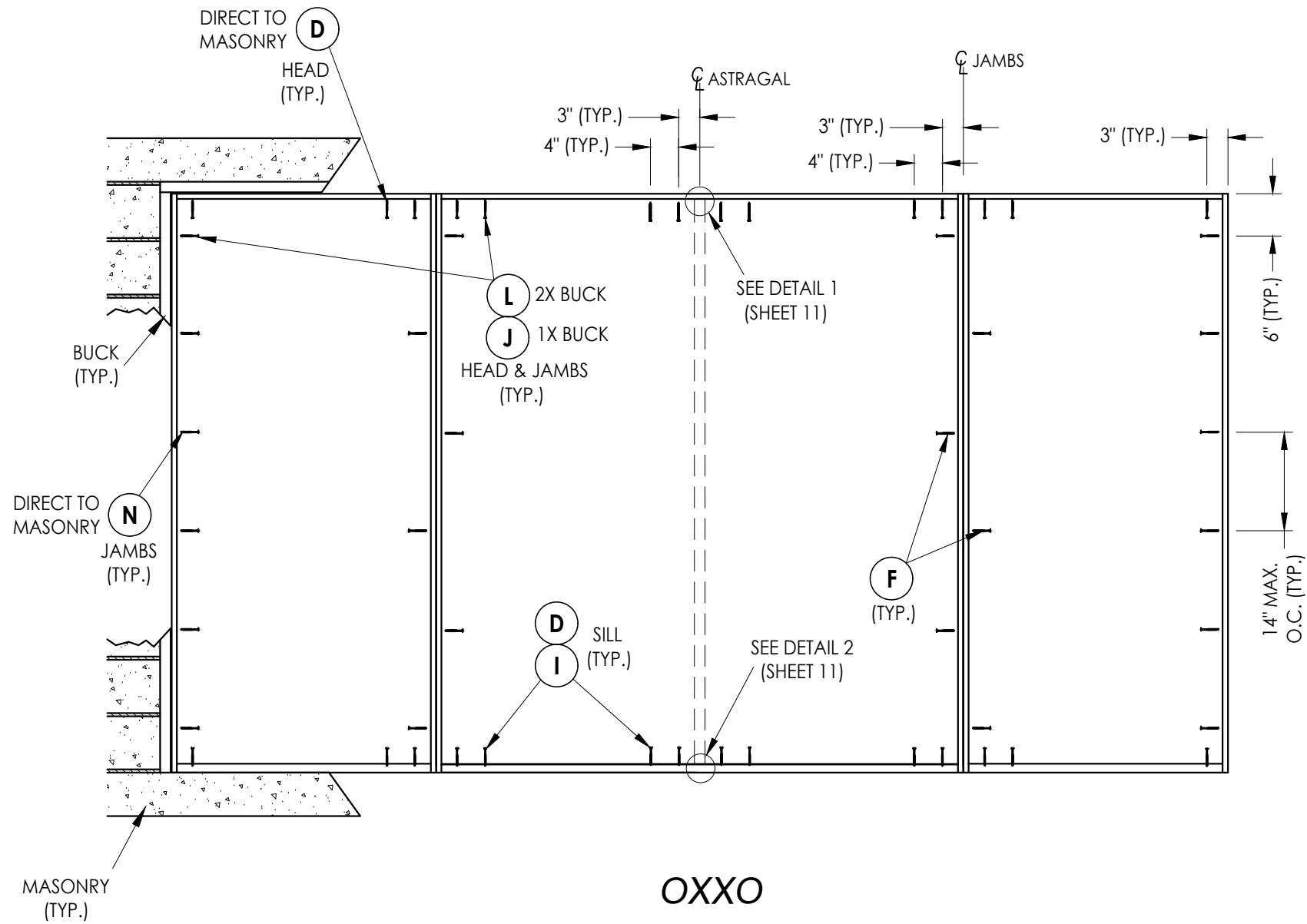
PRODUCT:
 THERMA-TRU
 FIBERGLASS DOOR

PART OR ASSEMBLY:
 BUCK ANCHORING

| NO | DATE | DESCRIPTION | BY |
|----|---------|------------------------------|-----|
| 1 | 7/20/23 | UPDATE TO 8TH ED. (2023) FBC | LFS |

DATE: 4/01/21
 SCALE: N.T.S.
 DWG. BY: RW
 CHK. BY: LFS
 DRAWING NO.: FL-20467.17
 SHEET 9 OF 13

Z:\2023 FBC Drawings\Therma-Tru\FL-20468 R6\FL-20468.16-17.dwg



FRAME ANCHORING

Documents Prepared By:
Lyndon F. Schmidt
P.E. No. 43409

RW BUILDING CONSULTANTS, INC.
P.O. Box 230, Valrico, FL 33595
Phone No.: 813.659.9197
FBPE Registry No. 9813

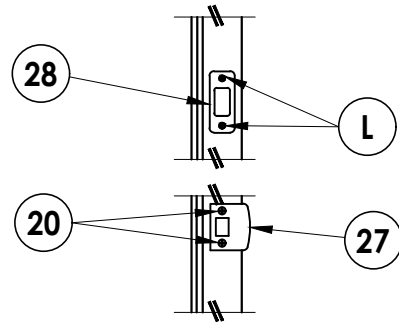
PRODUCT: THERMA-TRU FIBERGLASS DOOR

PART OR ASSEMBLY: FRAME ANCHORING

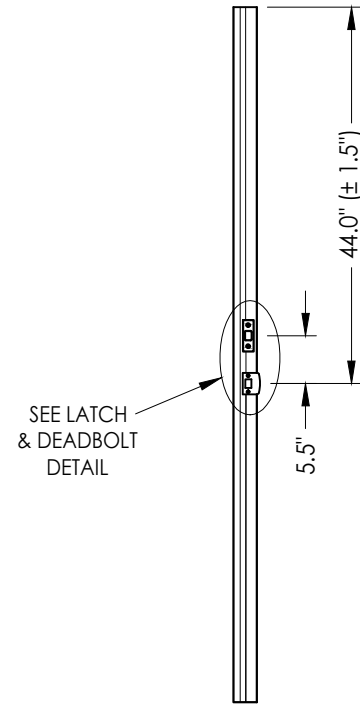
| NO. | DATE | DESCRIPTION | BY |
|-----|---------|------------------------------|-----|
| 1 | 7/20/23 | UPDATE TO 8TH ED. (2023) FBC | LFS |

REVISIONS

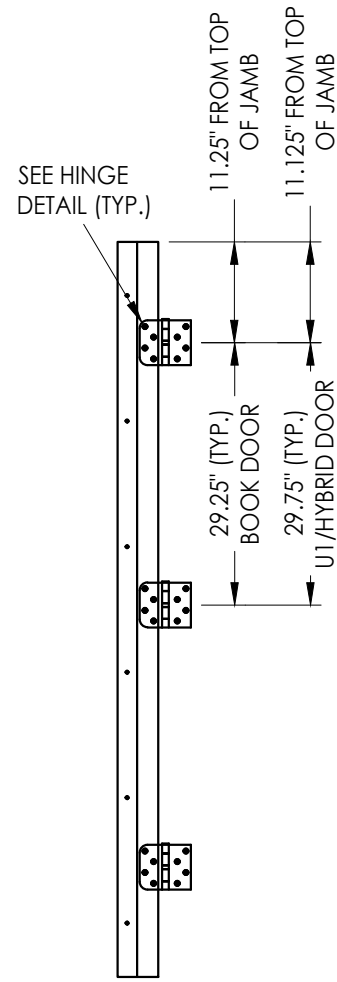
DATE: 4/01/21
SCALE: N.T.S.
DWG. BY: RW
CHK. BY: LFS
DRAWING NO.: FL-20467.17
SHEET 10 OF 13



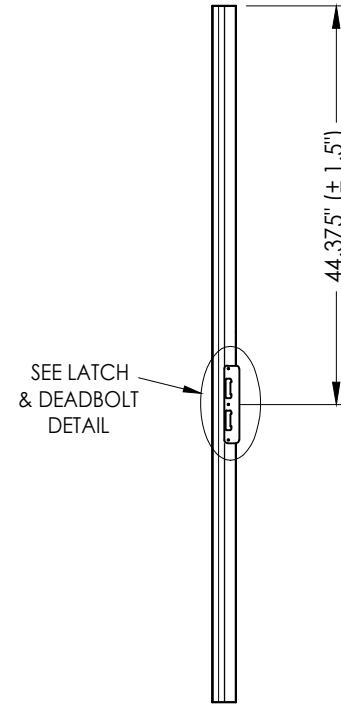
LATCH & DEADBOLT DETAIL
Schlage / Kwikset



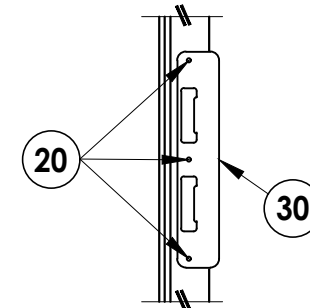
ASTRAGAL
Latch and Deadbolt



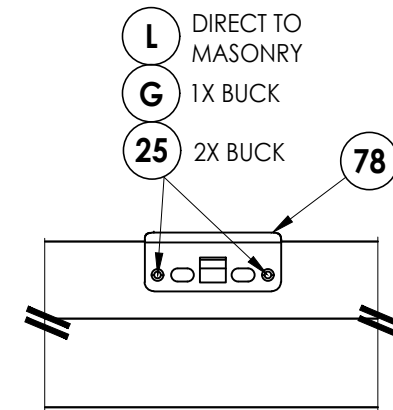
HINGE JAMB



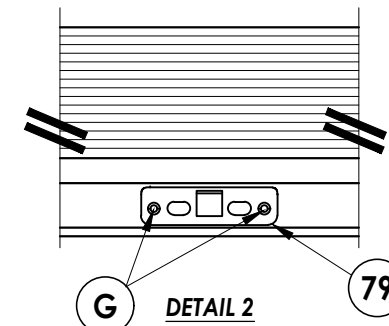
ASTRAGAL
Multipoint Lock



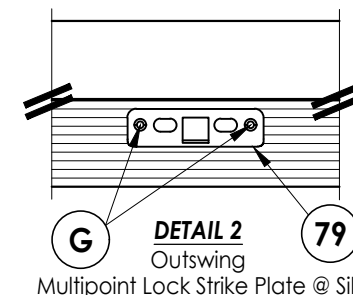
LATCH & DEADBOLT DETAIL
Multipoint Lock



DETAIL 1
Multipoint Lock Strike Plate @ Head

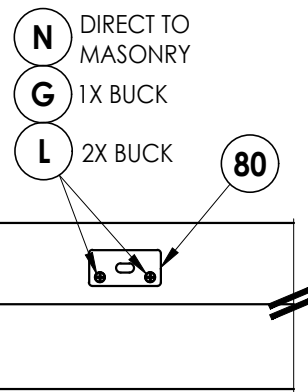


DETAIL 2
Inswing
Multipoint Lock Strike Plate @ Sill

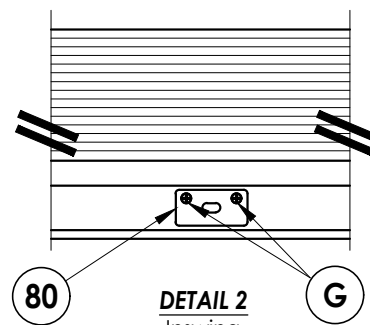


DETAIL 2
Outswing
Multipoint Lock Strike Plate @ Sill

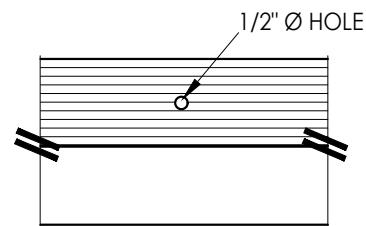
MULTIPOINT LOCK STRIKE DETAILS



DETAIL 1
Coastal Astragal Strike Plate @ Head

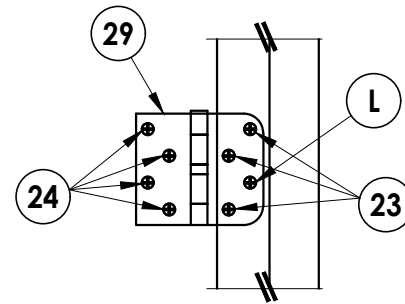


DETAIL 2
Inswing
Coastal Astragal Strike Plate @ Sill



DETAIL 2
Outswing
Astragal Bolt Hole @ Sill

LATCH & DEADBOLT STRIKE DETAILS



HINGE DETAIL

Documents Prepared By:
Lyndon F. Schmidt
P.E. No. 43409

RW BUILDING CONSULTANTS, INC.
P.O. Box 230, Vairico, FL 33595
Phone No.: 813.659.9197
FBPE Registry No. 9813

PRODUCT:
THERMA-TRU
FIBERGLASS DOOR

PART OR ASSEMBLY:
HARDWARE DETAILS

| NO. | DATE | REVISIONS |
|-----|---------|------------------------------|
| 1 | 7/20/23 | UPDATE TO 8TH ED. (2023) FBC |
| | | LFS |
| | | BY |

DATE: 4/01/21

SCALE: N.T.S.

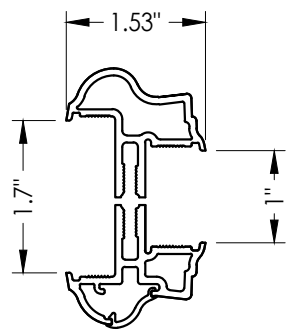
DWG. BY: RW

CHK. BY: LFS

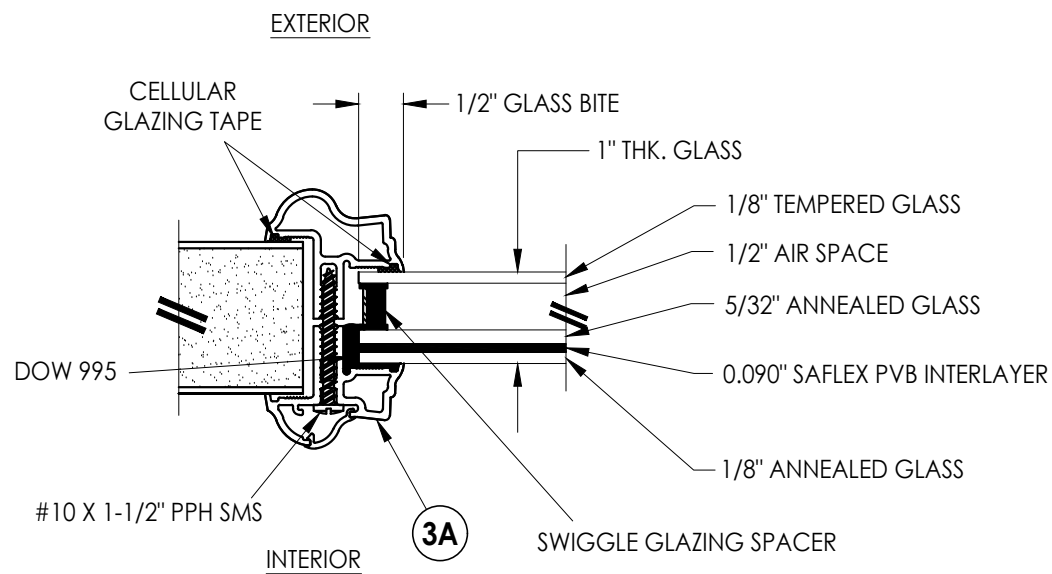
DRAWING NO.:

FL-20467.17

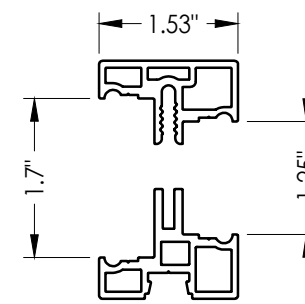
SHEET 11 OF 13



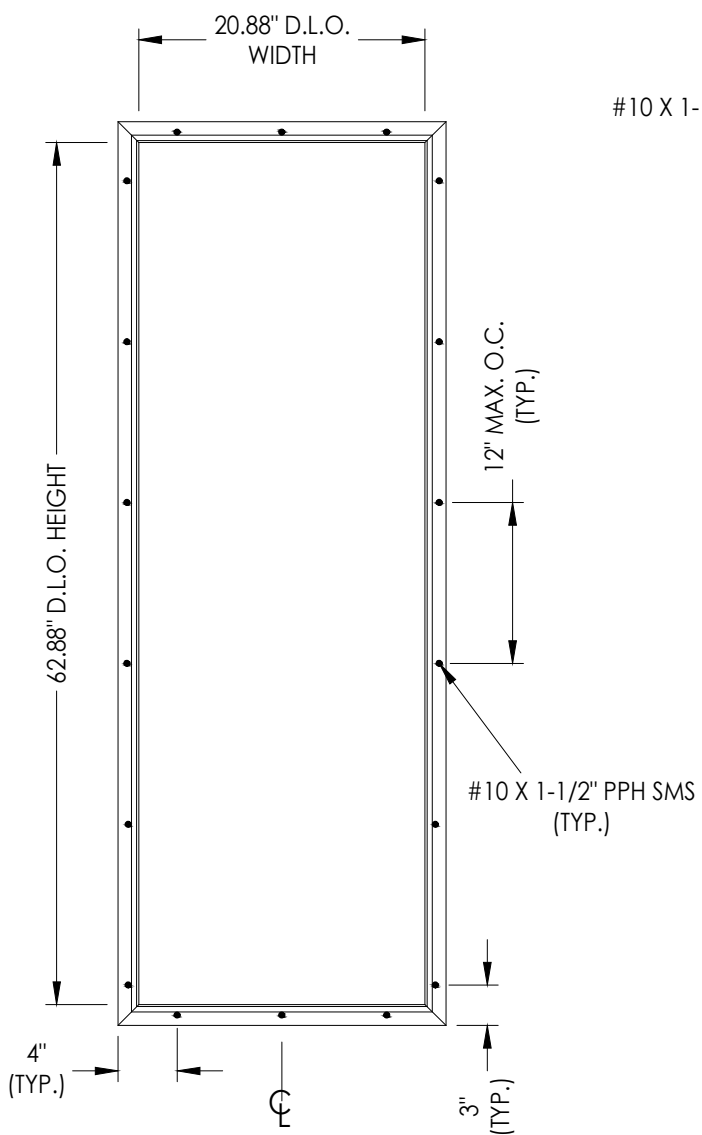
3A ALUMINUM FRAME
Aluminum Impact Lite Frame



G1 GLAZING DETAIL
Aluminum Impact Lite Frame

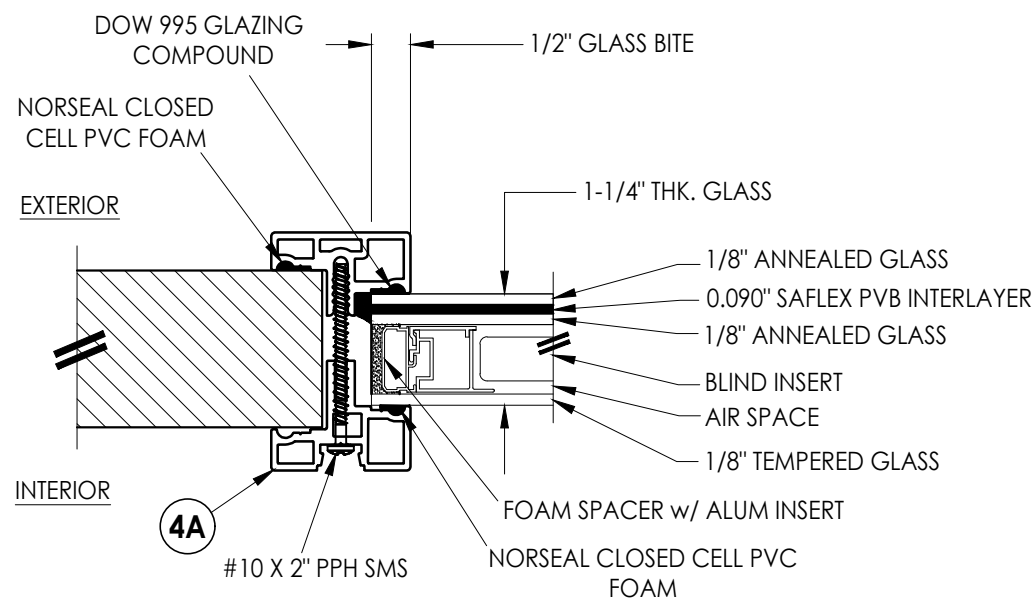


4A ALUMINUM FRAME
Aluminum Impact Lite Frame

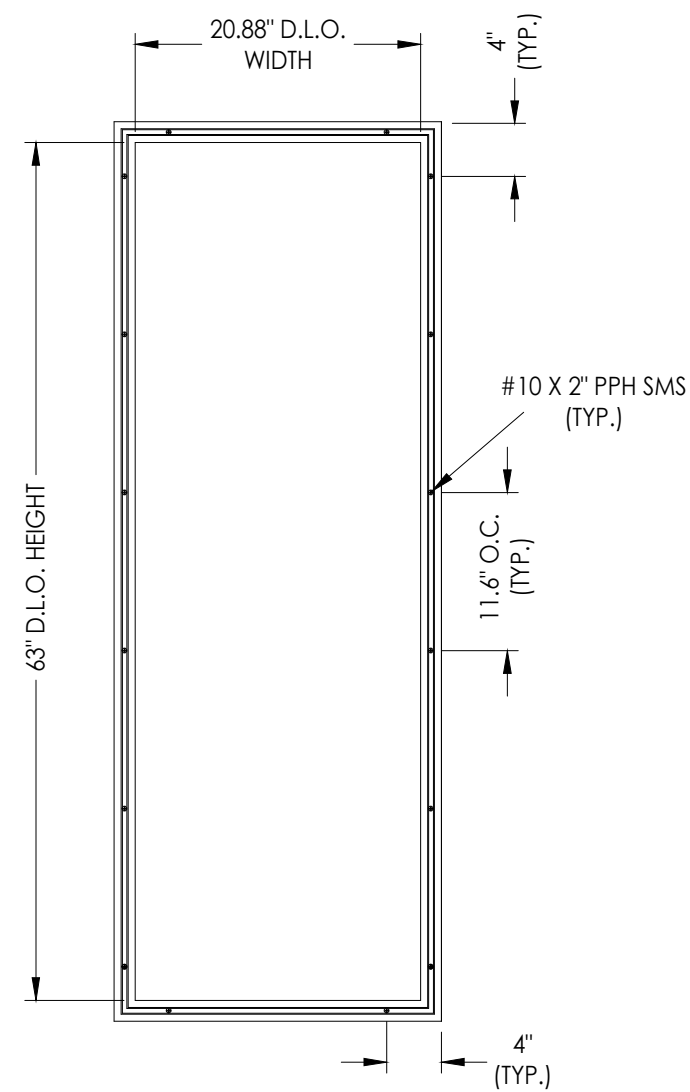


3A ALUMINUM LITE FRAME *
(w/ 1" Glazing)

- 14" SIDELITE NOTES:
 * 14" SIDELITE HAS ONLY 2 END SCREWS @ TOP & BOTTOM
 ** 14" SIDELITE HAS ONLY 1 SCREW @ CL @ TOP & BOTTOM



G2 GLAZING DETAIL
1-1/4" Insulated Laminated Glass
w/ Internal Blinds



4A ALUMINUM LITE FRAME **
(w/ 1-1/4" Glazing)

Documents Prepared By:
Lyndon F. Schmidt
P.E. No. 43409

RW BUILDING CONSULTANTS, INC.
P.O. Box 230, Valrico, FL 33595
Phone No.: 813.659.9197
FBPE Registry No. 9813

PRODUCT:
THERMA-TRU
FIBERGLASS DOOR

PART OR ASSEMBLY:
LITE FRAME
& GLAZING DETAILS

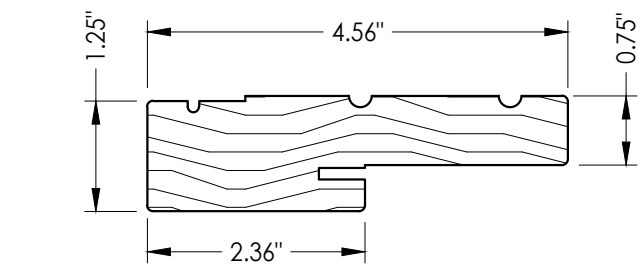
| NO. | DATE | DESCRIPTION | BY |
|-----|---------|--------------------------|-----|
| 1 | 7/20/23 | UPDATE TO 8TH ED. (2023) | FBC |

REVISIONS

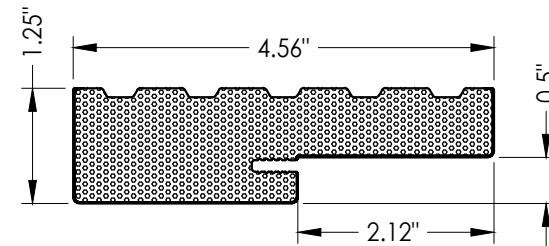
| | |
|--------------|-------------|
| DATE: | 4/01/21 |
| SCALE: | N.T.S. |
| DWG. BY: | RW |
| CHK. BY: | LFS |
| DRAWING NO.: | FL-20467.17 |
| SHEET | 12 OF 13 |

BILL OF MATERIALS

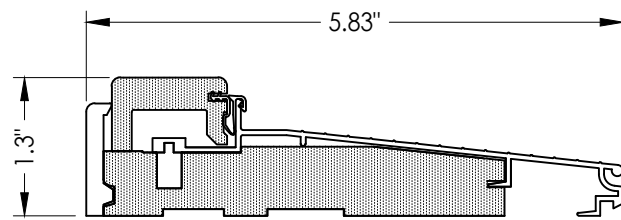
| ITEM # | DESCRIPTION | MATERIAL |
|--------|--|-----------|
| A | 1X BUCK (G >= 0.42) | WOOD |
| B | 2X BUCK (G >= 0.42) | WOOD |
| C | 1/4" MAX. SHIM SPACE | - |
| D | 1/4" X 2-3/4" PFH DeWALT OR ITW CONCRETE SCREW | STEEL |
| E | MASONRY - 3,000 PSI MIN. CONCRETE CONFORMING TO ACI 301 OR HOLLOW BLOCK CONFORMING TO ASTM C90 | CONCRETE |
| F | #10 X 2" PFH WOOD SCREW | STEEL |
| G | 3/16" x 3-1/4" PFH ITW CONCRETE SCREW | STEEL |
| I | 1/4" X 2-1/4" PFH DeWALT OR ITW CONCRETE SCREW | STEEL |
| J | 1/4" X 3-3/4" PFH DeWALT OR ITW CONCRETE SCREW | STEEL |
| L | #10 X 2-1/2" PFH WOOD SCREW (1.15" MIN. EMBEDMENT) | STEEL |
| N | 3/16" X 2-3/4" PFH ITW CONCRETE SCREW | STEEL |
| 1 | WOOD JAMB (FINGER JOINT PINE) | WOOD |
| 2 | COMPOSITE JAMB | COMP |
| 7 | WEATHERSTRIP | FOAM |
| 8 | DOOR SWEEP | VINYL |
| 9 | SWEEP (USE w/ PUBLIC ACCESS THRESHOLD) | VINYL |
| 10 | #10 X 1-1/2" PPH SMS | STEEL |
| 20 | #8 X 2-1/2" PFH WOOD SCREW | STEEL |
| 21 | #12 X 1-1/2" PFH WOOD SCREW | STEEL |
| 22 | #8 X 3/4" PFH WOOD SCREW | STEEL |
| 23 | #9 X 3/4" PFH WOOD SCREW | STEEL |
| 24 | #9 X 1" PFH WOOD SCREW | STEEL |
| 25 | #9 X 2-1/2" PFH WOOD SCREW | STEEL |
| 26 | #8 X 5/8" PFH WOOD SCREW | STEEL |
| 27 | LATCH STRIKE PLATE | STEEL |
| 28 | DEADBOLT STRIKE PLATE | STEEL |
| 28A | DEADBOLT SUB-STRIKE PLATE | STEEL |
| 29 | 4" X 4" HINGE | STEEL |
| 30 | LATCH & DEADBOLT STRIKE PLATE | STEEL |
| 32 | INSWING THRESHOLD | ALUM/COMP |
| 33 | OUTSWING THRESHOLD | ALUM/COMP |
| 34 | PUBLIC ACCESS THRESHOLD | ALUM |
| 35 | SIDELITE SPACER (INSWING) | VINYL |
| 36 | SIDELITE SPACER (OUTSWING) | VINYL |
| 40 | DOOR PANEL (BOOK) | - |
| 41 | DOOR PANEL (HYBRID) | - |
| 42 | DOOR PANEL (U1) | - |
| 44 | COASTAL ASTRAGAL (THERMA-TRU) | ALUM |
| 50 | SIDELITE PANEL | - |
| 78 | MULTIPOINT LOCK STRIKE PLATE @ HEAD | STEEL |
| 79 | MULTIPOINT LOCK STRIKE PLATE @ SILL | STEEL |
| 80 | COASTAL ASTRAGAL STRIKE PLATE | STEEL |



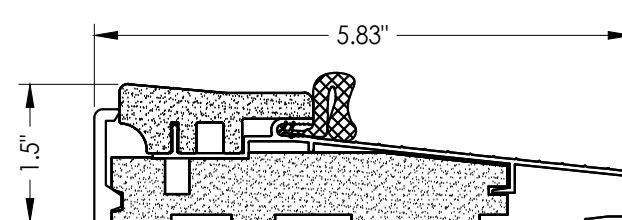
1 WOOD JAMB



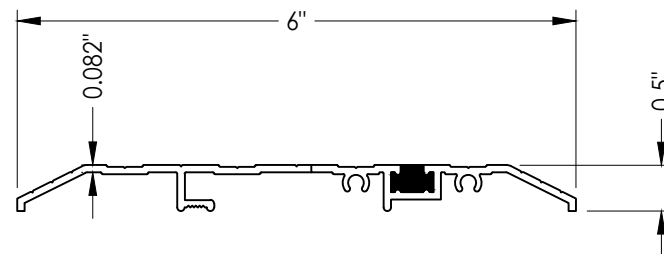
2 COMPOSITE JAMB



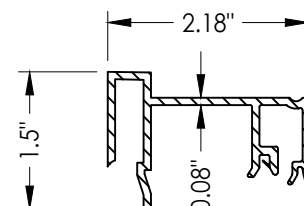
32 INSWING THRESHOLD
Adjustable Composite Sill



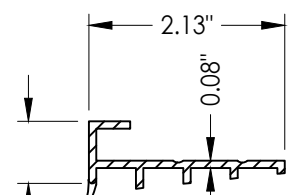
33 OUTSWING THRESHOLD
Composite Sill



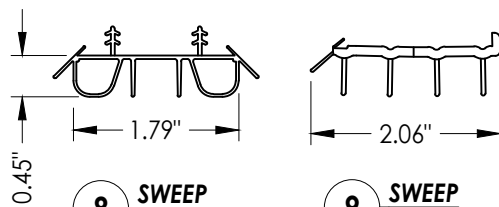
34 PUBLIC ACCESS THRESHOLD



35 SIDELITE SPACER
Inswing

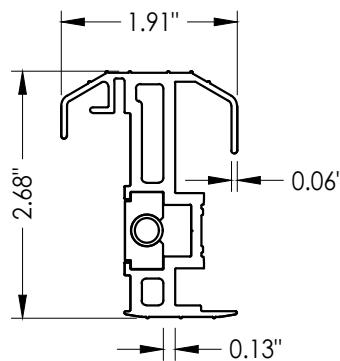


36 SIDELITE SPACER
Outswing



8 SWEEP

9 SWEEP



44 ASTRAGAL DETAIL

CONCRETE ANCHOR NOTES:

- Concrete anchor locations at the corners may be adjusted to maintain the min. edge distance to mortar joints.
- Concrete anchor locations noted as "MAX. ON CENTER" must be adjusted to maintain the min. edge distance to mortar joints, additional concrete anchors may be required to ensure the "MAX. ON CENTER" dimension are not exceeded.
- Concrete anchor table:

| ANCHOR TYPE | ANCHOR SIZE | MIN. EMBEDMENT | MIN. CLEARANCE TO MASONRY EDGE | MIN. CLEARANCE TO ADJACENT ANCHOR |
|------------------|-------------|----------------|--------------------------------|-----------------------------------|
| ITW TAPCON® | 1/4" | 1-1/4" | 2" | 4" |
| DeWALT ULTRACON® | 1/4" | 1-1/4" | 1" | 4" |
| ITW TAPCON® | 3/16" | 1-1/4" | AS SHOWN | 1-1/2" |

WOOD SCREW INSTALLATION NOTES:

- Maintain a minimum 5/8" edge distance, 1" end distance, & 1" o.c. spacing of wood screws to prevent the splitting of wood.

Documents Prepared By:
Lyndon F. Schmidt
P.E. No. 43409

R.W. BUILDING CONSULTANTS, INC.
P.O. Box 230, Vairico, FL 33595
Phone No.: 813.659.9197
FBPE Registry No. 9813

PRODUCT:
THERMA-TRU
FIBERGLASS DOOR

PART OR ASSEMBLY:
BILL OF MATERIALS
& COMPONENTS

| NO. | DATE | DESCRIPTION | LFS | BY |
|-----|---------|--------------------------|-----|----|
| 1 | 7/20/23 | UPDATE TO 8TH ED. (2023) | FBC | |

DATE: 4/01/21
SCALE: N.T.S.
DWG. BY: RW
CHK. BY: LFS
DRAWING NO.: FL-20467.17
SHEET 13 OF 13